

### M2-210



### Features

- Low power consumption and high performance
- 2230 M.2 Card dimension
- M.2 Key A-E interface
- Support WOL

### Product Description



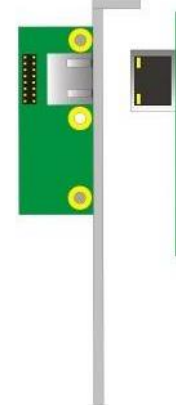
Host Interface	M.2
Controller	Intel® Ethernet Controller I210-AT
M.2 key type	A-E PCIe Interface
Dimension	22mm x 30mm x 5.3 mm (L x W x H)
<b>Operating Conditions</b>	
Voltage	3.3V +/-5%
Temperature	Operating Temp.: 0~60°C Storage Temp.: -40~+85°C

### General Specifications

Compliance	IEEE 802.3 Ethernet interface for 1000Base-T, 100Base-TX, and 10Base-T applications (802.3, 802.3u, 802.3ab).
Transfer Rate	1000 Mb/s, 100 Mb/s, or 10 Mb/s
Support OS	Win7 x32&x64, Win8 x32&x64, Win8.1 x32&x64, Win10 x32&x64, Win server 2012 R2. Linux (kernel versions 2.6.30 or newer)

### Ordering Code

M2-210	M.2 (NGFF) card supports Gigabit Ethernet (Incl. connection cable and RJ45 adapter)
--------	---

<p>M.2 LAN module</p> 	<p>LAN cable x 1</p> 	<p>LAN adapter x 1 (With Bracket)</p> 
<p>M2-210</p>	<p>OALGLAN-A-20 (1040617)</p>	<p>BADPGLAN_A (4120007011)</p>