

CMB-570

Mini Barebone system
Intel High Performance Platform
Installation Guide

Edition 1.0
2008/03/06



Document Content:

- Packing List
- Product Specification
- Hardware Installation

Packing List:

CMB-570 Chassis x 1
(Including LS-570 Motherboard)



DSPD-080-12A 80W AC-DC Adapter x 1



Power Cord x 1

CPU Cooler x 1

ATAPI Power Cord x1



44-pin to 44-pin ATA33 IDE Cable x1 (12CM)



DVI module with DVI Cable x 1

Serial port Cable x 3

USB Cable x 1

Audio Cable x1

Printer Cable x 1

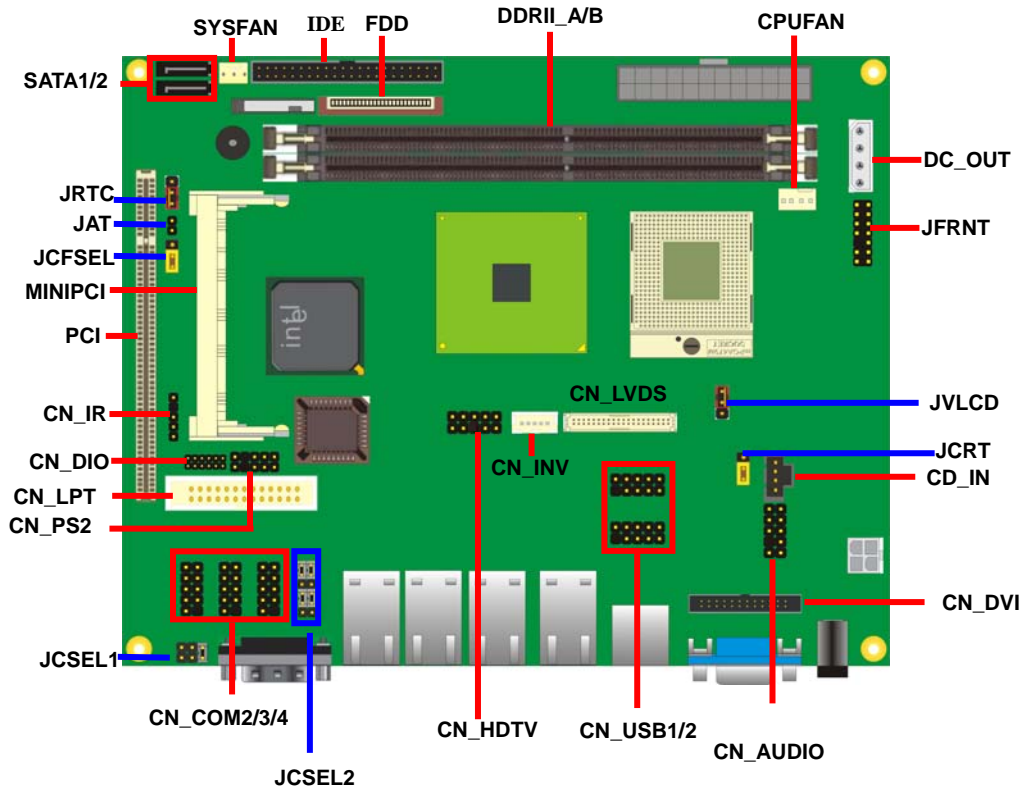
PS/2 Keyboard & Mouse Cable x 1

CD Driver x1

CMB-570

Hardware Installation:

Motherboard placement



For the Components placement, it is available for LS-570

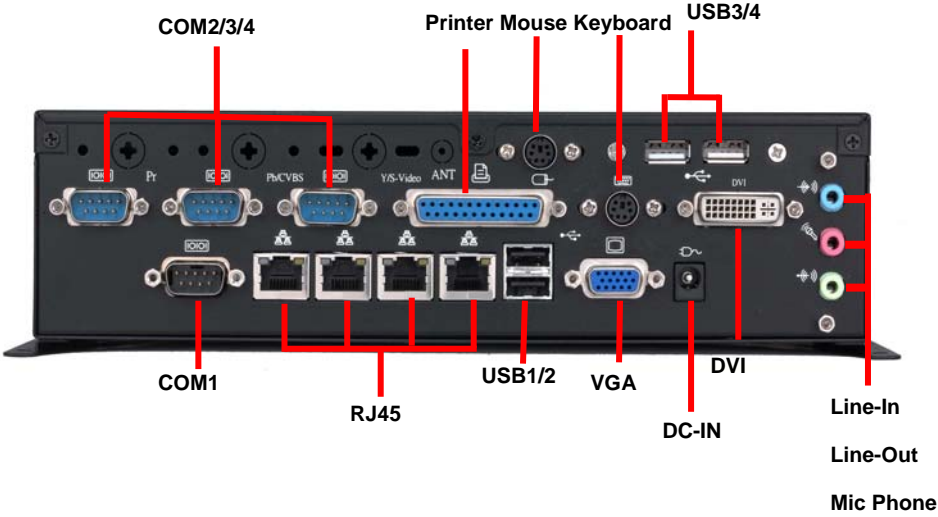
— For Connector — For Jumper

I/O panel:

Front:



Rear:



▪ Chassis Setup procedure:

- 1. Screw off as indication of the picture below.

Rear:



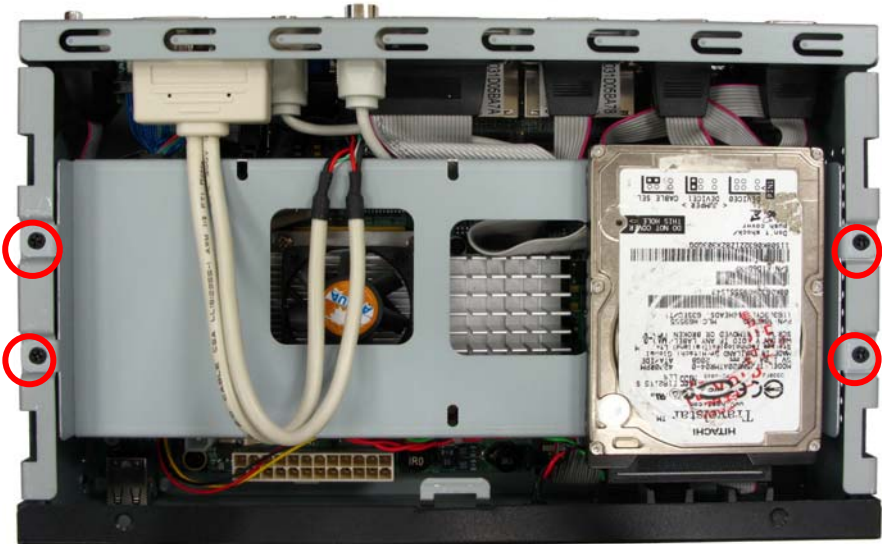
Top:



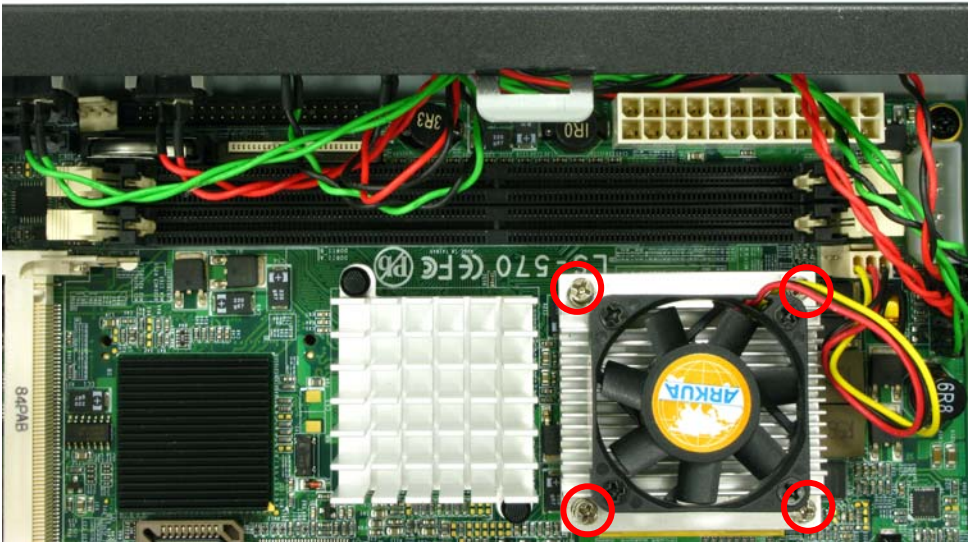
2. Push the Chassis shield towards the back then open it.



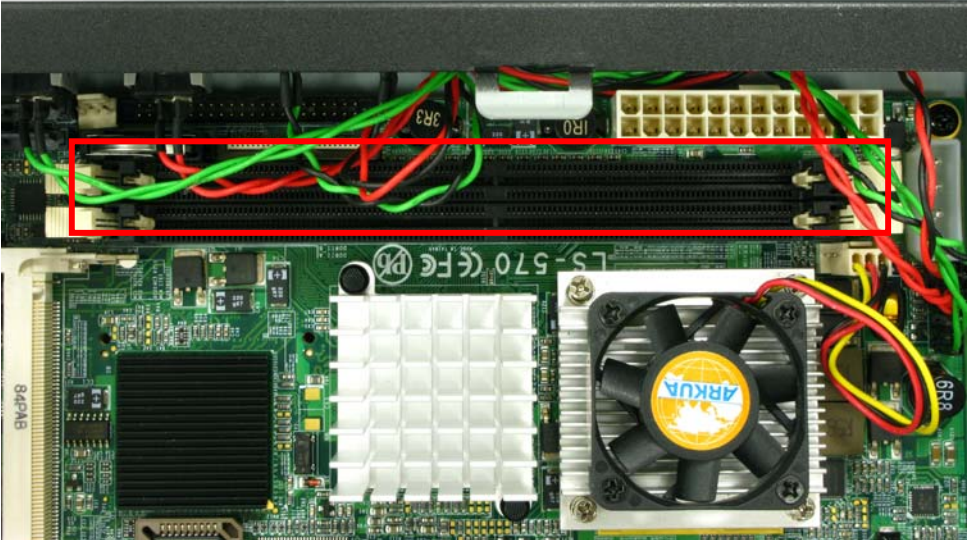
3. Screw off as indication of the picture below.



4. Turn the CPU cooler screws and then refer the motherboard manual page.17 to install the CPU.(After installing CPU, please turn the CPU FAN screws to tighten.)



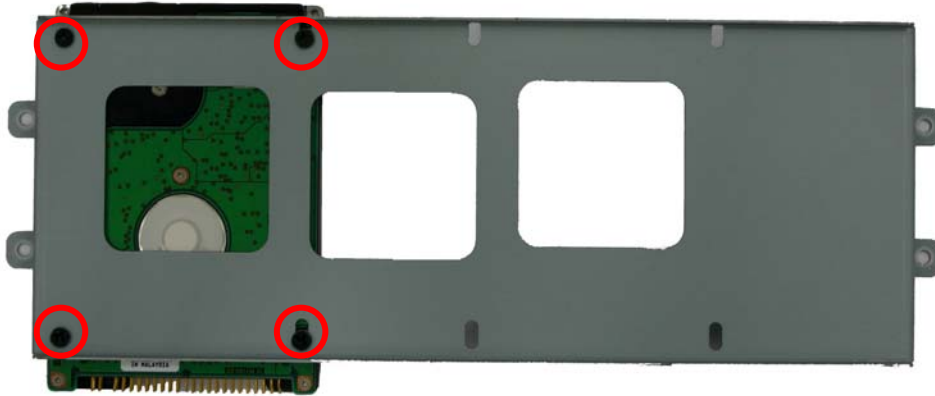
6. Open the DIMM holder then check the pin number to match the socket side well before installing memory module.



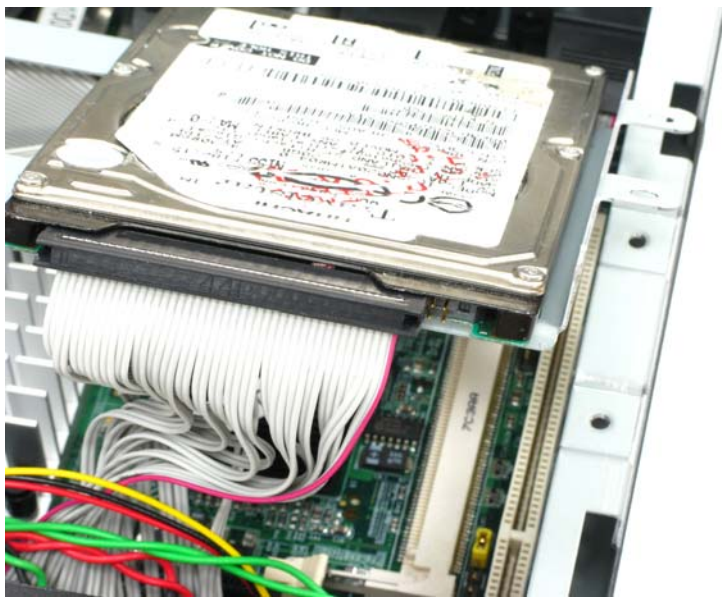
7. Press down the memory module then check DIMM holder hook well.



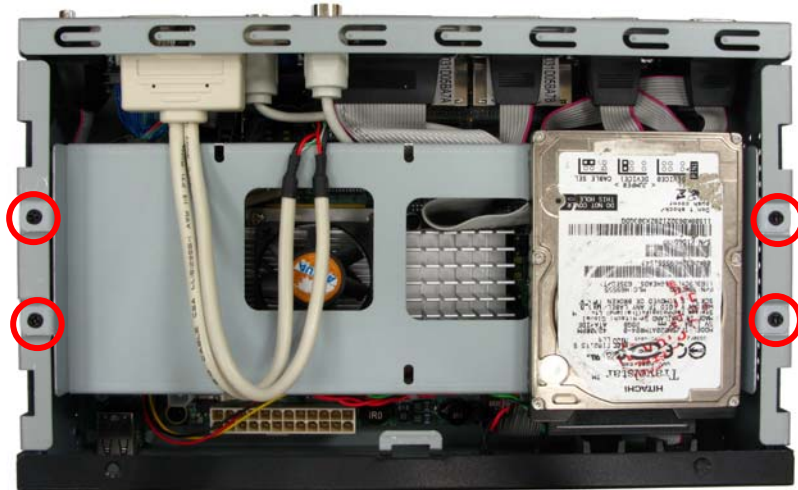
- Put on HDD driver into HDD holder then turn the HDD drive screws to tighten.(If you don't have HDD drive please direct to step.10)



- Connect IDE cable from motherboard to the HDD drive.



10. Screw on as indication of the picture below Turn the screws.



11. Push the Chassis shield towards the back then open it.



12. Screw on as indication of the picture below.

Rear:



Top:

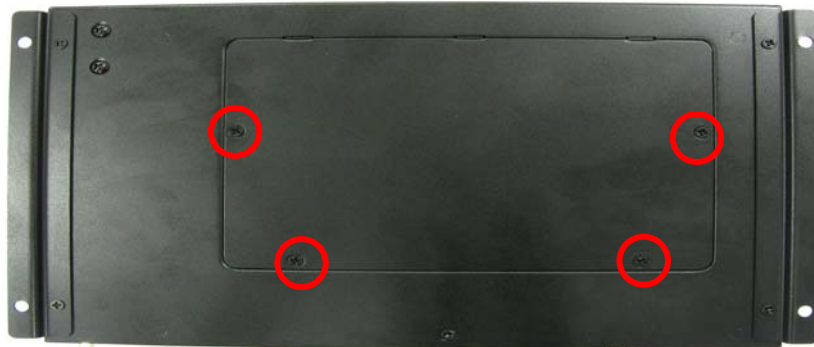


13. Finish.



▪ **CF card Setup Procedure:**

1. Screw off as indication of the picture below.



2. Open it and you shall see CF card socket. As shown in the illustration, face the label side toward you and insert the end with the small holes into the Motherboard.



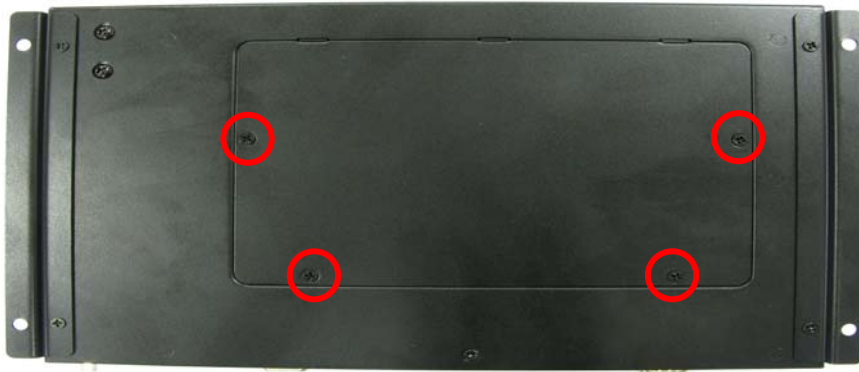
3. Follow the foolproof design then insert the CF card.



4. Check connected well



5. Close it shield and turn screw to tighten.



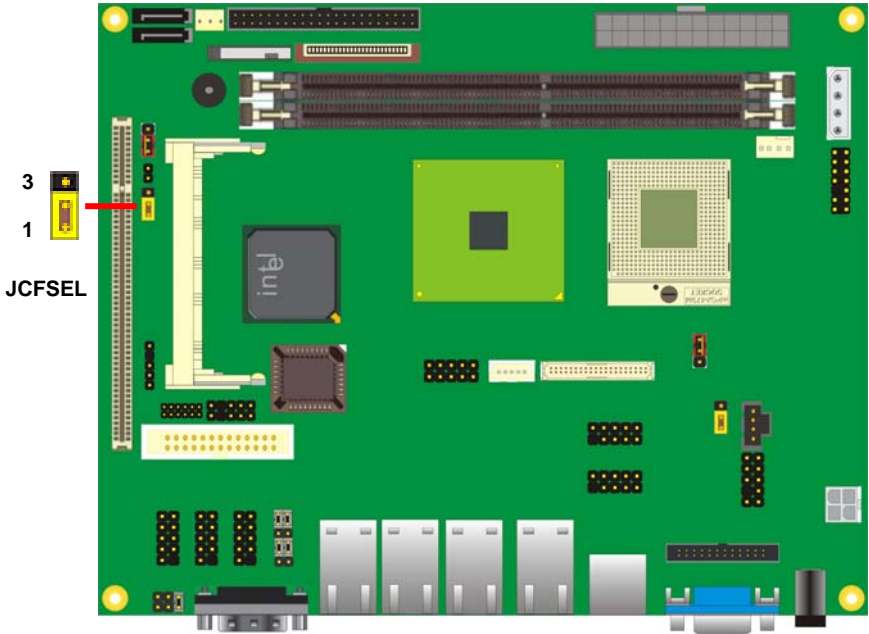
Addendum Notice

Please leave the **JCFSEL** as 1-2 for Master mode, and set the IDE2 HDD as Slave mode if you need to use the CF card.

Jumper: **JCFSEL**
Type: onboard 3-pin header

JCFSEL	Mode
1-2	Master
2-3	Slave

Default setting



Contact Information

Any advice or comment about our products and service, or anything we can help you please don't hesitate to contact with us. We will do our best to support you for your products, projects and business

Taiwan Commate Computer Inc.

Address	19F, No. 94, Sec. 1, Xintai 5th Rd., Xizhi Dist New Taipei City, Taiwan
TEL	+886-2-26963909
FAX	+886-2-26963911
Website	http://www.commell.com.tw
E-Mail	info@commell.com.tw (General Information) tech@commell.com.tw (Technical Support)
Facebook	https://www.facebook.com/pages/Taiwan-Commate-Computer-Inc/547993955271899
Twitter	https://twitter.com/Taiwan_Commate

Commell is a brand name of Taiwan Commate Computer Inc.

