

# CMB-574

---

Mini Barebone system  
Intel High Performance Platform  
Installation Guide

Edition 1.0

2015/09/02



**Document Content:**

- Packing List
- Product Specification
- Hardware Installation

**Packing List:**

**CMB-574** Chassis x 1  
(Including LS-574 Motherboard)



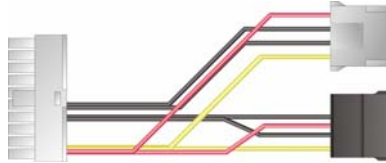
**DSPD-080-12A** 80W AC-DC Adapter x 1



Power Cord x 1

CPU Cooler x 1

ATX Power Cable x1



Printer Cable x 1

Serial port cable x 1

Quad Serial port cable x 1

SATA Cable x 1

Audio Cable x 1

Keyboard & Mouse Cable x 1

DVI module & Cable x 1

USB Cable x 1

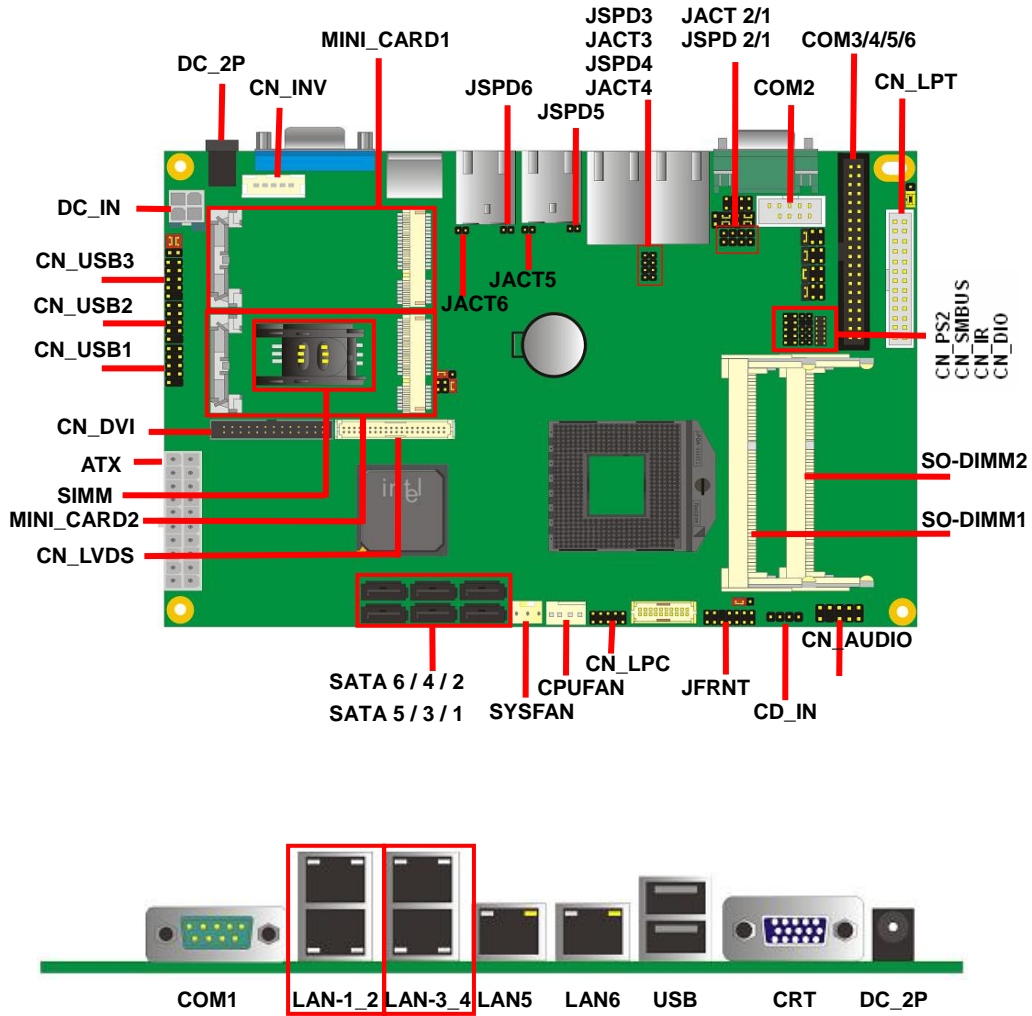
Wall-mount bracket x 2

CD Driver x1

CMB-574

# Hardware Setup:

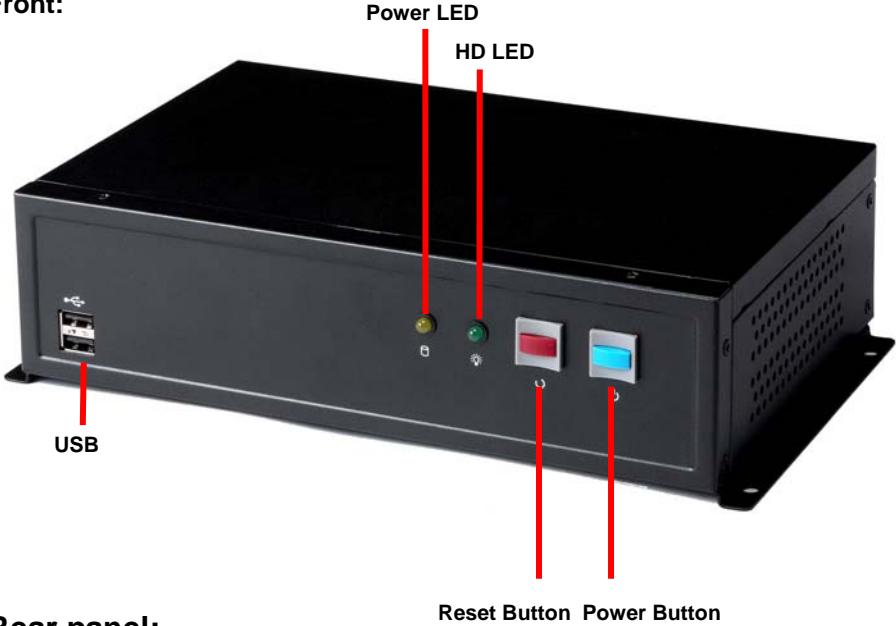
## < Connector Location >



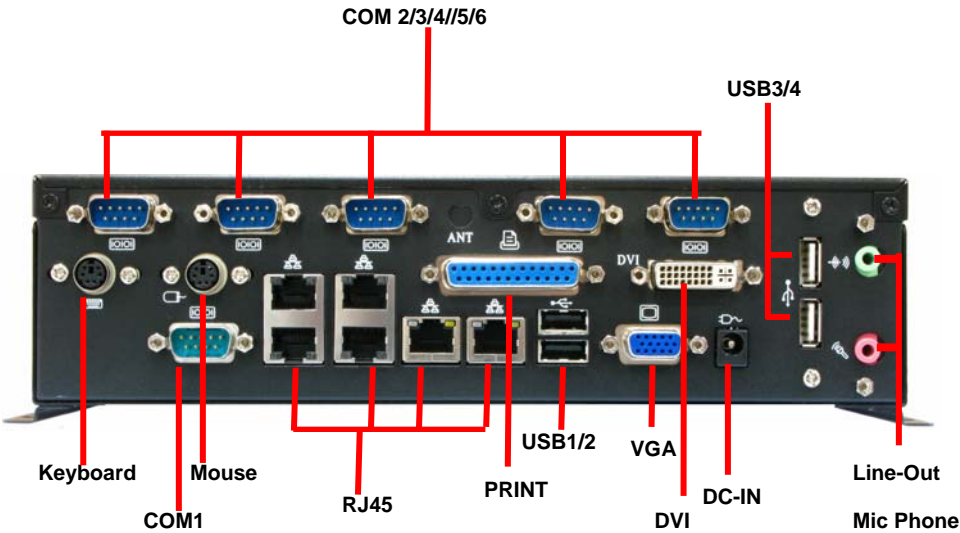
*For the Components placement, it is available for CMB-574*

I/O panel:

Front:



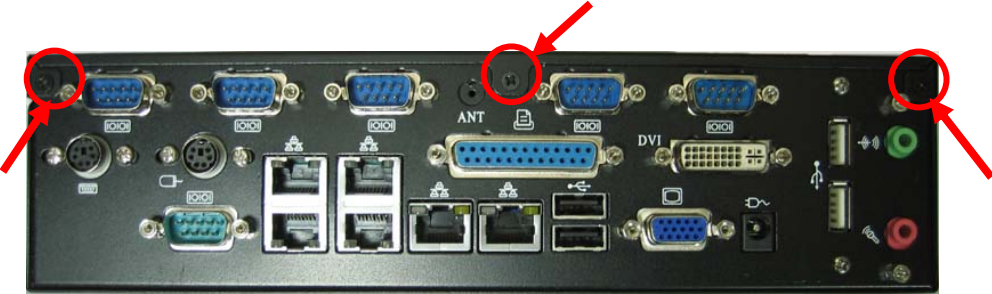
Rear panel:



**Chassis Setup procedure:**

- 1. Screw off as indication of the picture below.

Rear:



Top:



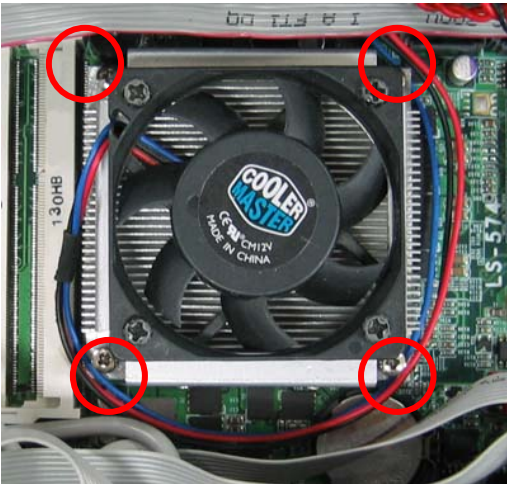
2. Push the Chassis shield towards the back then open it.



3. Screw off as indication of the picture below.



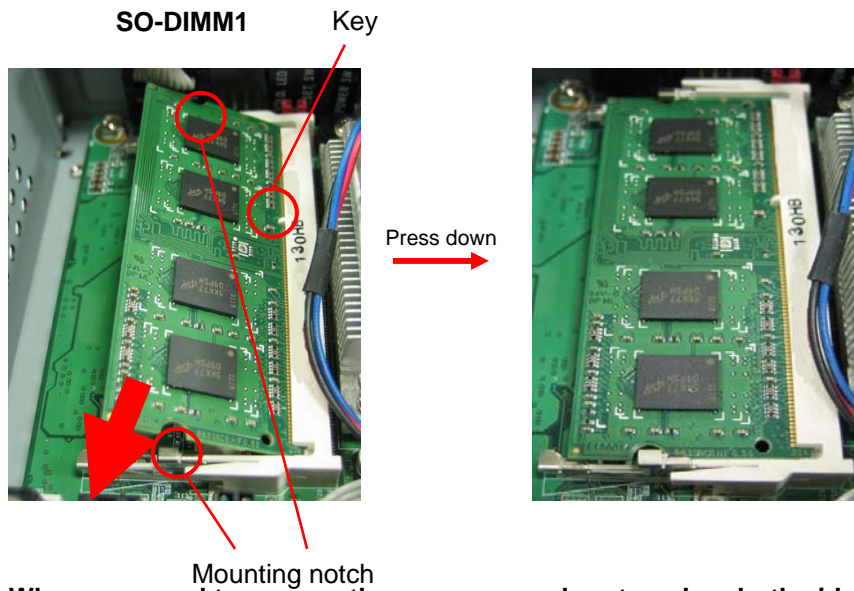
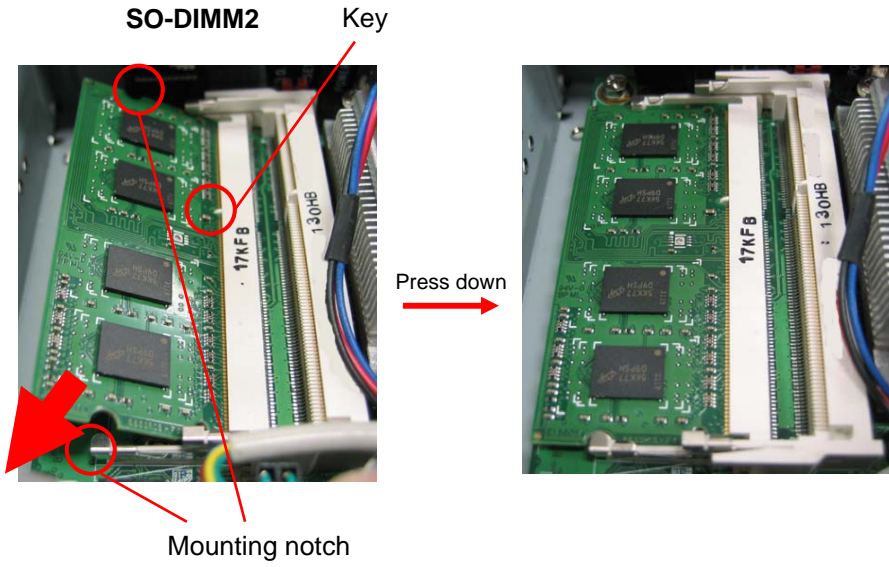
4. Turn the CPU cooler screws and then refer the motherboard manual page.15 to install the CPU.(After installing CPU, please turn the CPU FAN screws to tighten.)



5. Insert the DDR3 SO-DIMM module into the socket at 45 degree.

Press down the module with a click sound.

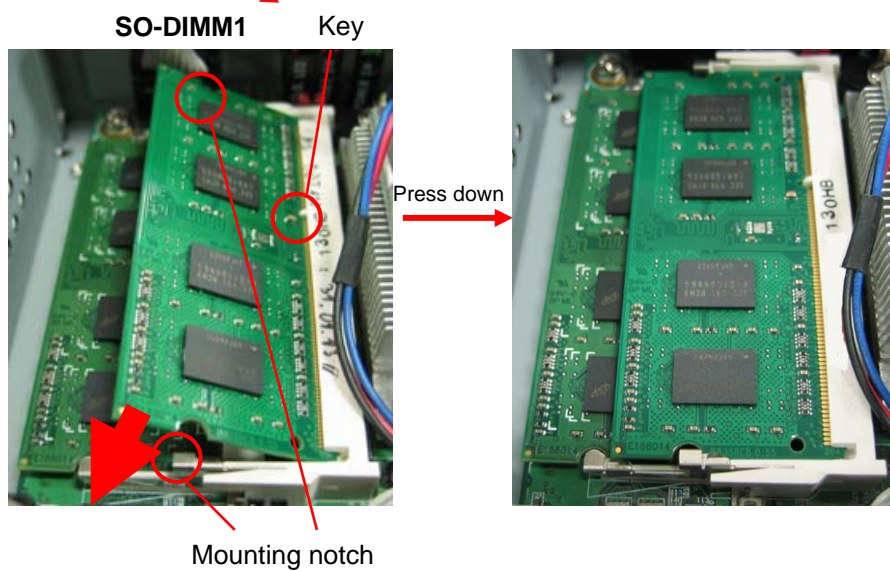
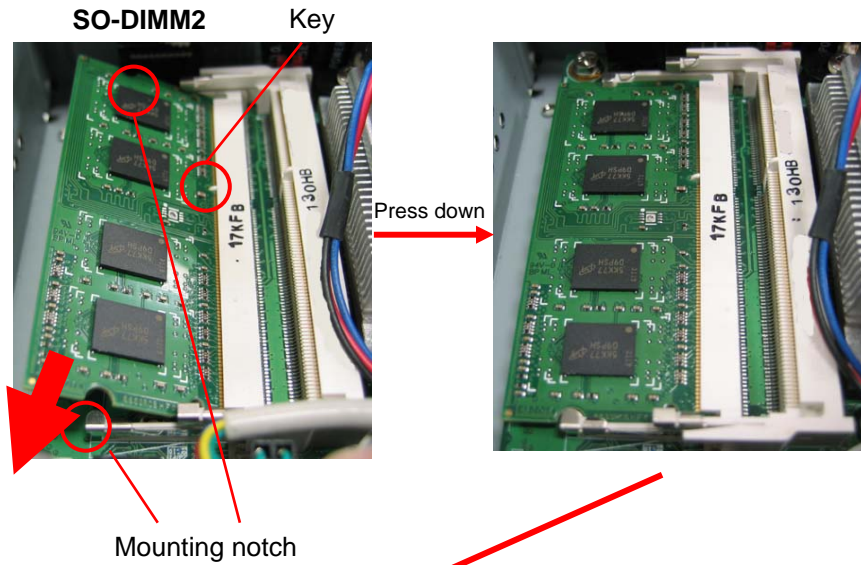
(1) If you only have one, you can choice SO-DIMM1 or SO-DIMM2:



When you need to remove the memory, push outward on both sides of the latch.



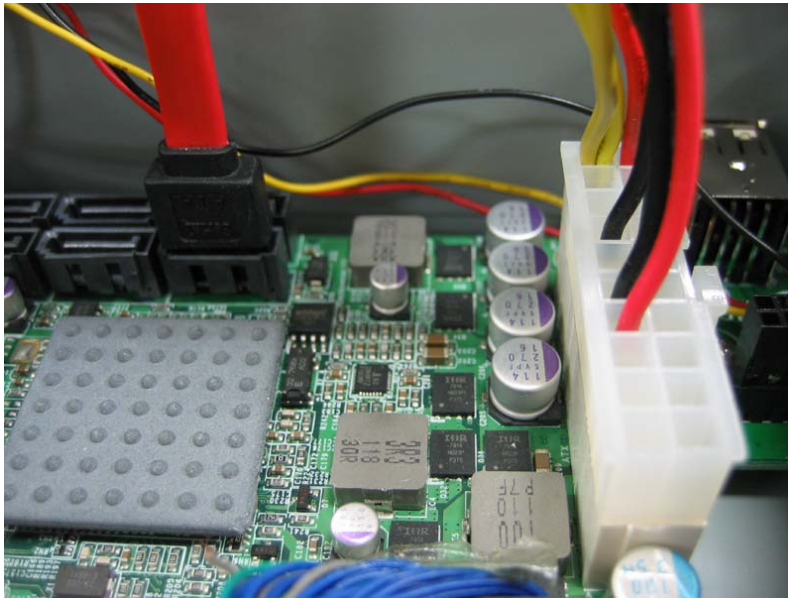
(2) If you have two, please input SO-DIMM2 , then input SO-DIMM1:



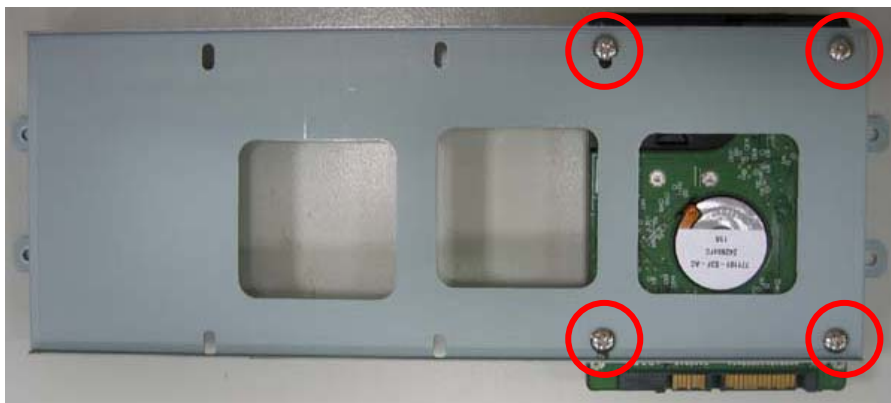
When you need to remove the memory, push outward on both sides of the latch.

6. Put SATA cable into one of SATA1~6, and ATX Power cable into ATX.

(Beware of direction)



7. Put on HDD driver into HDD holder then turn the HDD drive screws to tighten.



8. Connect SATA cable and ATX Power cable to the HDD.

(Beware of direction).



9. Screw on as indication of the picture below Turn the screws.

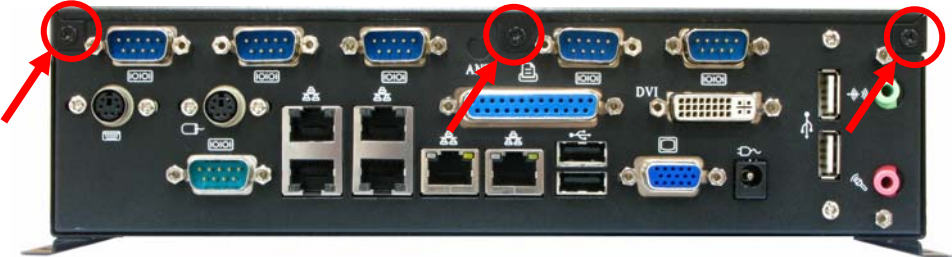


10. Push the Chassis shield towards the back then open it.



11. Screw on as indication of the picture below.

Rear:



Top:



**12. Turn the chassis shield screws with the Wall-mount brackets to tighten well.**



13. Finish.



## Contact Information

Any advice or comment about our products and service, or anything we can help you please don't hesitate to contact with us. We will do our best to support you for your products, projects and business

### Taiwan Commate Computer Inc.

Address	19F, No. 94, Sec. 1, Xintai 5th Rd., Xizhi Dist New Taipei City, Taiwan
TEL	+886-2-26963909
FAX	+886-2-26963911
Website	<a href="http://www.commell.com.tw">http://www.commell.com.tw</a>
E-Mail	<a href="mailto:info@commell.com.tw">info@commell.com.tw</a> (General Information) <a href="mailto:tech@commell.com.tw">tech@commell.com.tw</a> (Technical Support)
Facebook	<a href="https://www.facebook.com/pages/Taiwan-Commate-Computer-Inc/547993955271899">https://www.facebook.com/pages/Taiwan-Commate-Computer-Inc/547993955271899</a>
Twitter	<a href="https://twitter.com/Taiwan_Commate">https://twitter.com/Taiwan_Commate</a>

**Commell is a brand name of Taiwan Commate Computer Inc.**

