

Digital Signage Solutions

- / Cloud system
- / Software
- / Customized
- / Air quality controller



Key Benefits



Multiple

- Customized interface
- Precision Marketing
- Android Support



Cloud system management

- Big Data Analysis
- Automatically updates the information
- Update emergency messages immediately



Remote update

- Web integration
- Pre-arranged Ad time
- Monitor the real-time status of equipment



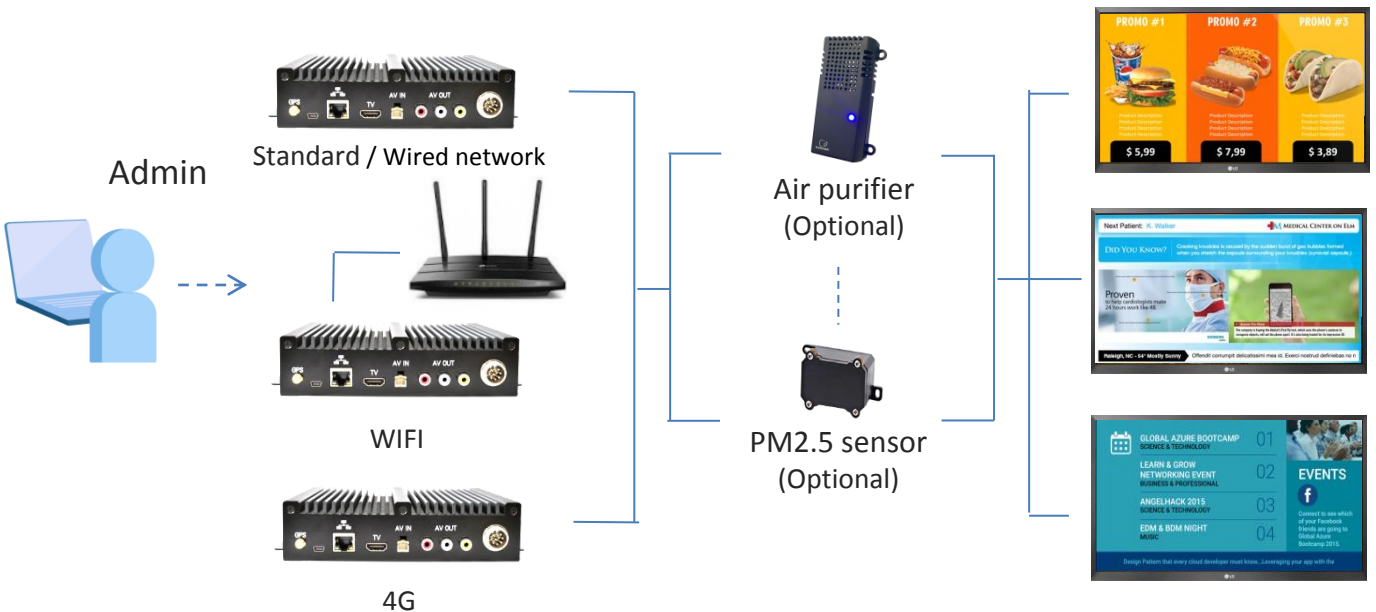
Air quality controller (Optional)

- Air purifier with Japan patent
- Indoor air quality monitor
- Environment with good air quality

Operation Admin

Update content Center System

Media Panel Point



Solution Platforms

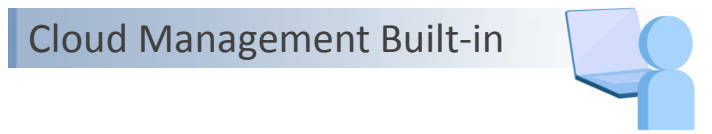
MSB05 (Standard)



MSB05-C (Wired network)



MSB05-W (WIFI)



Remote Device Management

With cloud system, admin can take the real-time actions, update information on-site, Ad view times, indoor air quality data(optional).



MSB05-L (4G)



Content Management

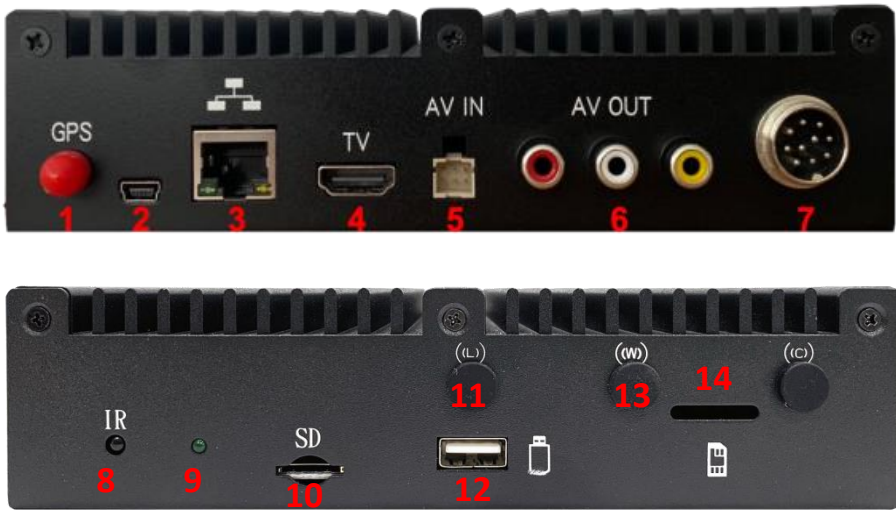
Precision Marketing to meet customer requirements. Reduce content compatibility issues limited by specific network systems or system architectures.

Specifications

Host Device

Operating System	Android 4.4.4
Webserver	nginx
CPU	1.2G/4 core
DRAM	512M
Flash	8G
Storage	32G/64G/128G SD
GPS	uBlox, 9600bps
USB	2.0
Wi-Fi (Optional)	802.11 a/b/g/n/ac
Display (HDMI/CVBS)	720p / 576p
Input	DC 9~36V with power protection
Power Consumption	24V, 300mA(operation)/1mA(idle)
Operating Temperature	-20~85°C
Dimension	204*129*43mm
Weight	940g
Real Time Clock (RTC)	for auto-wakeup function
On Board 5G WIFI (Optional)	for content update
On Board LTE/ LTE Cat M1 (Optional)	for content update/ location tracking

Hardware I/O Interface



I/O	Description
1	GPS Connector Replaced by receiving PM2.5 sensor data
2	Mini USB Port For engineering test
3	Ethernet Port Connect to the Router (applicable model : MSB05-C/MSB05-W)
4	HDMI Port
5	AV In Port (Reserved port)
6	RCA Jacks
7	Power Slot Connect Power Cable
8	IR Sensor Received from supplied remote control
9	Power LED Solid green when power on
10	Mini SD Slot
11	Antenna Connector (Optional) Connect to 4G antenna (applicable model : MSB05-L)
12	USB Port
13	Antenna Connector (Optional) Connect to 5G Wi-Fi antenna (applicable model : MSB05-W)
14	SIM Card Slot