

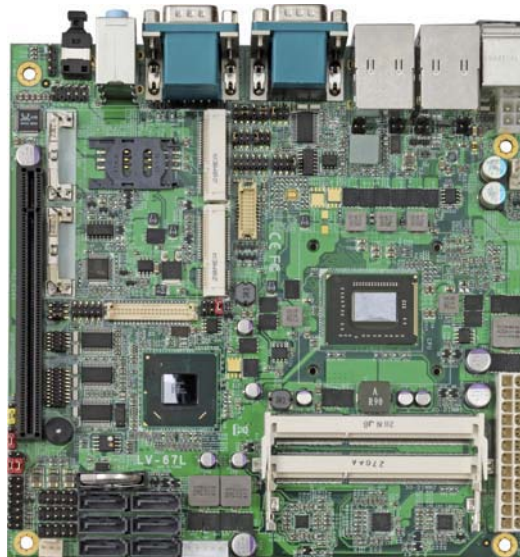
# LV-67L

---

## Mini-ITX Motherboard

### User's Manual

Edition 1.4  
2016/08/16



### **Copyright**

Copyright 2012, all rights reserved. This document is copyrighted and all rights are reserved. The information in this document is subject to change without prior notice to make improvements to the products.

This document contains proprietary information and protected by copyright. No part of this document may be reproduced, copied, or translated in any form or any means without prior written permission of the manufacturer.

All trademarks and/or registered trademarks contains in this document are property of their respective owners.

### **Disclaimer**

The company shall not be liable for any incidental or consequential damages resulting from the performance or use of this product.

The company does not issue a warranty of any kind, express or implied, including without limitation implied warranties of merchantability or fitness for a particular purpose.

The company has the right to revise the manual or include changes in the specifications of the product described within it at any time without notice and without obligation to notify any person of such revision or changes.

### **Trademark**

All trademarks are the property of their respective holders.

---

Any questions please visit our website at <http://www.commell.com.tw>

## Packing List:

Please check the package content before you starting using the board.

### Hardware:

LV-67L Mini-ITX Motherboard x 1

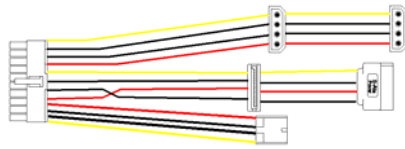
### Cable Kit:



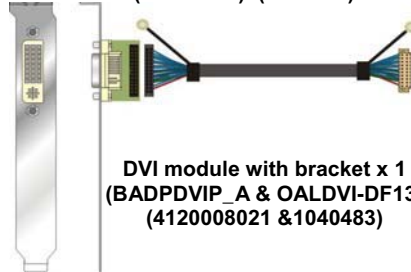
SATA Cable x 2  
(OALSATA3-L)/ (1040529)



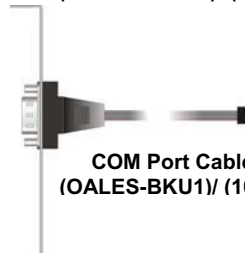
DC Power Cable x 1  
(OALDC-A)/ (1040433)



Power Cable x 1  
(OALATX-P3S2)/ (10400058)



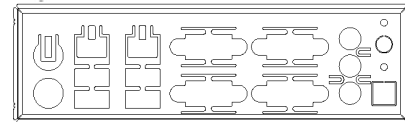
DVI module with bracket x 1  
(BADPDVIP\_A & OALDVI-DF13)  
(4120008021 & 1040483)



COM Port Cable x 1  
(OALES-BKU1)/ (1040083)



CPU Cooler x 1  
(OHS-P-M-7)/ (2181010002)



I/O Shield x 1  
(OPLATE-LV67E )/ (1270046)

### Printed Matters:

Driver CD (Including User's Manual) x 1

### Optional Cable:



USB2.0 Cable x 1  
(OALUSBA-1)/ (1040172)



Dual COM PORT cable x 1  
(OALES-BKU2)/ (1040087)

---

**Index**

<b>Chapter 1 &lt;Introduction&gt;</b> .....	<b>6</b>
1.1 <Product Overview> .....	6
1.2 <Product Specification> .....	7
1.3 <Mechanical Drawing> .....	9
1.4 <Block Diagram> .....	10
<b>Chapter 2 &lt;Hardware Setup&gt;</b> .....	<b>11</b>
2.1 <Connector Location> .....	11
2.2 <Jumper Location & Reference> .....	12
2.3 <Connector Reference> .....	13
2.3.1 <Internal Connectors> .....	13
2.3.2 <External Connectors> .....	13
2.4 <Memory Setup>.....	14
2.4.1 <Memory Setup> .....	14
2.5 <CMOS & ATX Setup> .....	15
2.6 <Serial ATA Interface> .....	16
2.7 <Ethernet Interface>.....	16
2.8 <Onboard Display Interface> .....	17
2.8.1 <Analog Display>.....	17
2.8.2 <Digital Display> .....	18
2.8.3 <DVI Interface>.....	22
2.9 <Integrated Audio Interface> .....	23
2.10 <USB Interface> .....	25
2.11 <Serial Port>.....	27
2.12 <PCIE Mini Card and SIM Interface> .....	30
2.12.1 <SIM Step>.....	32
2.13 <GPIO and SMBUS Interface>.....	34
2.14 <Power Supply and Fan Interface > .....	35
2.14.1 <Power Input>.....	35
2.14.2 <Power Output>.....	36

---

2.14.3 <Fan connector> .....	37
2.15 <Switch and Indicator> .....	38
<b>Chapter 3 &lt;System Setup&gt; .....</b>	<b>39</b>
3.1 <Audio Configuration> .....	39
3.2 <Display Properties Setting> .....	40
<b>Chapter 4 &lt;BIOS Setup&gt;.....</b>	<b>42</b>
<b>Appendix A &lt;I/O Port Pin Assignment&gt; .....</b>	<b>44</b>
A.1 <Serial ATA Port> .....	44
A.2 <IrDA Port>.....	44
A.3 <VGA Port> .....	44
A.4 <LAN Port>.....	44
A.5 <LAN LED Port>.....	45
<b>Appendix B &lt;Flash BIOS&gt;.....</b>	<b>46</b>
B.1 <Flash Tool> .....	46
B.2 <Flash BIOS Procedure> .....	46
<b>Appendix C &lt;Programming GPIO's&gt;.....</b>	<b>47</b>
<b>Appendix D &lt;Programming Watchdog Timer &gt;.....</b>	<b>48</b>
<b>Contact Information .....</b>	<b>49</b>

(This page is left for blank)

## **Chapter 1 <Introduction>**

### **1.1 <Product Overview>**

**LV-67L** the 2<sup>nd</sup> Generation Intel of the Mini-ITX motherboard, supports 2<sup>nd</sup> Generation Intel Celeron® Processor 807UE/847E and features Intel HM65 chipset, integrated HD Graphics, DDR3 memory, REALTEK High Definition Audio, Serial ATA and Intel Gigabit LAN.

#### **Intel Sandy Bridge Processor**

The 2<sup>nd</sup> Generation Intel Celeron® Processor 807UE/847E is the next generation of 64-bit, multi-core mobile processor built on 32- nanometer process technology. Based on a new micro-architecture.

#### **New features for Intel HM65 chipset**

The board integrates Intel HM65 chipset, supports integrated HD Graphics, built-in high speed mass storage interface of serial ATA, High Definition Audio with 2 channels surrounding sound.

#### **All in One multimedia solution**

Based on Intel HM65 chipset, the board provides high performance onboard graphics, 24-bit dual channel LVDS interface, DVI and 2 channels High Definition Audio, to meet the very requirement of the multimedia application.

#### **Flexible Extension Interface**

LV-67LNB(807UE) provides two mini-PCIE socket.

LV-67LBU(847E) provides two mini-PCIE socket and one PCIE X16 slot.

## 1.2 <Product Specification>

### General Specification

<b>Form Factor</b>	Mini-ITX motherboard
<b>CPU</b>	Intel® Celeron® Processor 807UE 1.0GHz (LV-67LNB) Intel® Celeron® Processor 847E 1.1GHz (LV-67LBU) Package type : FCBGA1023
<b>Memory</b>	1 x DDRIII SO-DIMM 1066/1333 MHz up to 4GB (LV-67LNB) 2 x DDRIII SO-DIMM 1066/1333 MHz up to 16GB (LV-67LBU) Support Non-ECC, unbuffered memory only
<b>Chipset</b>	Intel HM65
<b>Real Time Clock</b>	Chipset integrated RTC with onboard lithium battery
<b>Watchdog Timer</b>	Generates a system reset with internal timer for 1min/s ~ 255min/s
<b>Power Management</b>	Supports ACPI 3.0 compliant
<b>Serial ATA Interface</b>	4 x serial ATAI interface with 300MB/s transfer rate 2 x serial ATAIII interface with 600MB/s transfer rate The HM65 doesn't support RAID function.
<b>VGA Interface</b>	Onboard DSUB15 connector for VGA interface
<b>LVDS Interface</b>	Onboard 24-bit dual channel LVDS connector with +3.3V/+5V/+12V supply
<b>DVI Interface</b>	Onboard DVI with 20-pin connector
<b>Audio Interface</b>	Realtek ALC888 HD Audio
<b>LAN Interface</b>	1 x Intel 82579LM Gigabit LAN 1 x Intel 82574L Gigabit LAN
<b>GPIO interface</b>	Onboard programmable 8-bit Digital I/O interface
<b>Extended Interface</b>	LV-67LNB support 2 x PCIE mini card socket, 1 x SIM socket. LV-67LBU support 1 x PCIE x16 slot, 2 x PCIE mini card socket, 1 x SIM socket. Optional support mSATA(SATAII) for above models in Mini_Card2,but SATA6 will be disabled.
<b>Internal I/O Port</b>	3 x RS232, 1 x SMBUS, 1 x GPIO, 6 x USB2.0 ports, 1 x IrDA, 1 x DVI , 1 x LVDS, 4 x Serial ATAI, 2 x Serial ATAIII, 1 x Front panel Audio and 1 x CDIN
<b>External I/O Port</b>	1 x PS/2, 2 x LAN ports, 1 x VGA port, 4 x USB2.0 ports, 1 x RS232/422/485, 2 x RS232,1 x SPDIF and 1 x 2 Channel HD Audio
<b>Power Requirement</b>	Standard 24-pin ATX power supply or 9~24V full range DC Input
<b>Dimension</b>	170mm x 170mm
<b>Temperature</b>	Operating within 0~60 centigrade Storage within -20~85 centigrade



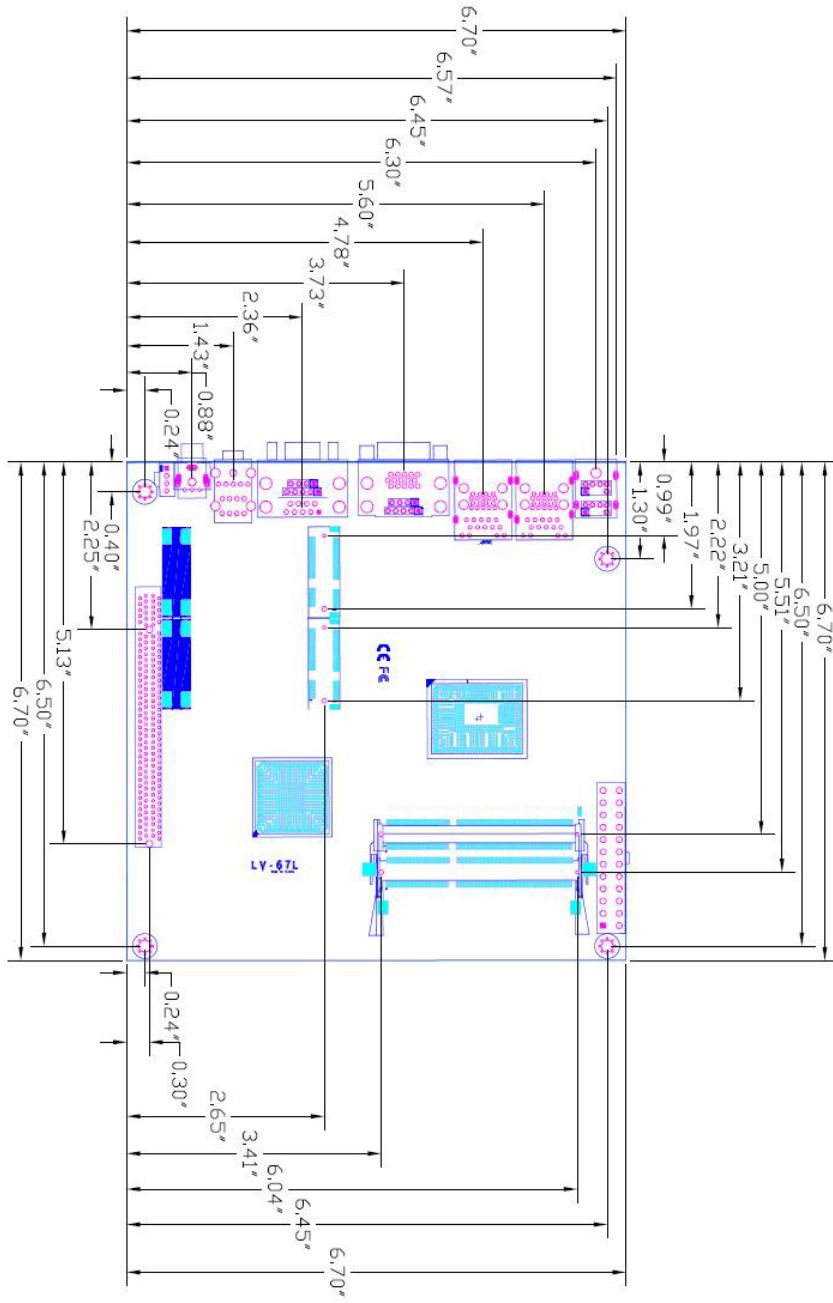
Ordering Code

LV-67LNB	Intel® Celeron® Processor 807UE + HM65 with Onboard VGA, LVDS, DVI, LAN, USB2.0, HD Audio, SATAII, SATAIII, SMBUS, LPC, SIM, GPIO and PCI Express mini card.
LV-67LNBS	Intel® Celeron® Processor 807UE + HM65 with Onboard VGA, LVDS, DVI, LAN, USB2.0, HD Audio, SATAII, SATAIII, SMBUS, LPC, SIM, GPIO, PCI Express mini card and <b>mSATA</b> .
LV-67LBU	Intel® Celeron® Processor 847E + HM65 with Onboard VGA, LVDS, DVI, LAN, USB2.0, HD Audio, SATAII, SATAIII, SMBUS, LPC, SIM, GPIO, <b>PCIE x16</b> and PCI Express mini card.
LV-67LBUS	Intel® Celeron® Processor 847E + HM65 with Onboard VGA, LVDS, DVI, LAN, USB2.0, HD Audio, SATAII, SATAIII, SMBUS, LPC, SIM, GPIO, <b>PCIE x16</b> , PCI Express mini card and <b>mSATA</b> .

The specifications may be different as the actual production.

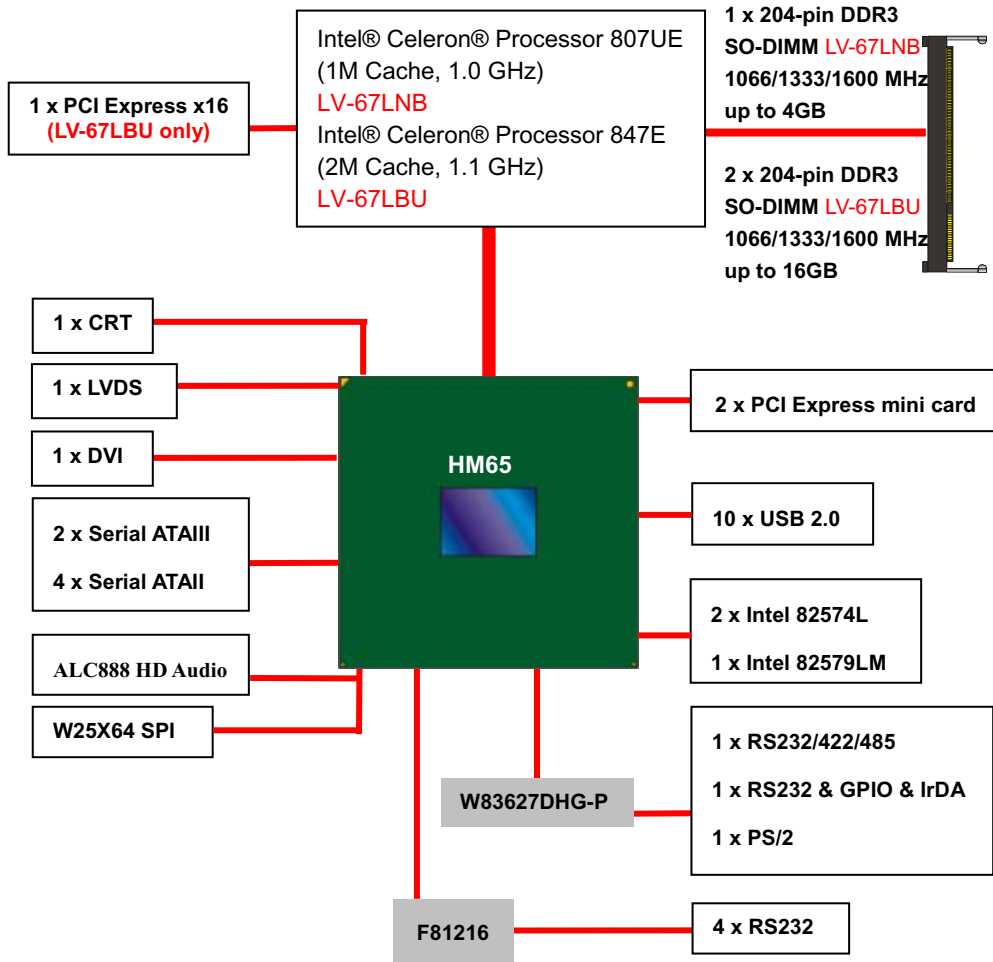
For further product information please visit the website at <http://www.comnell.com.tw>

1.3 <Mechanical Drawing>



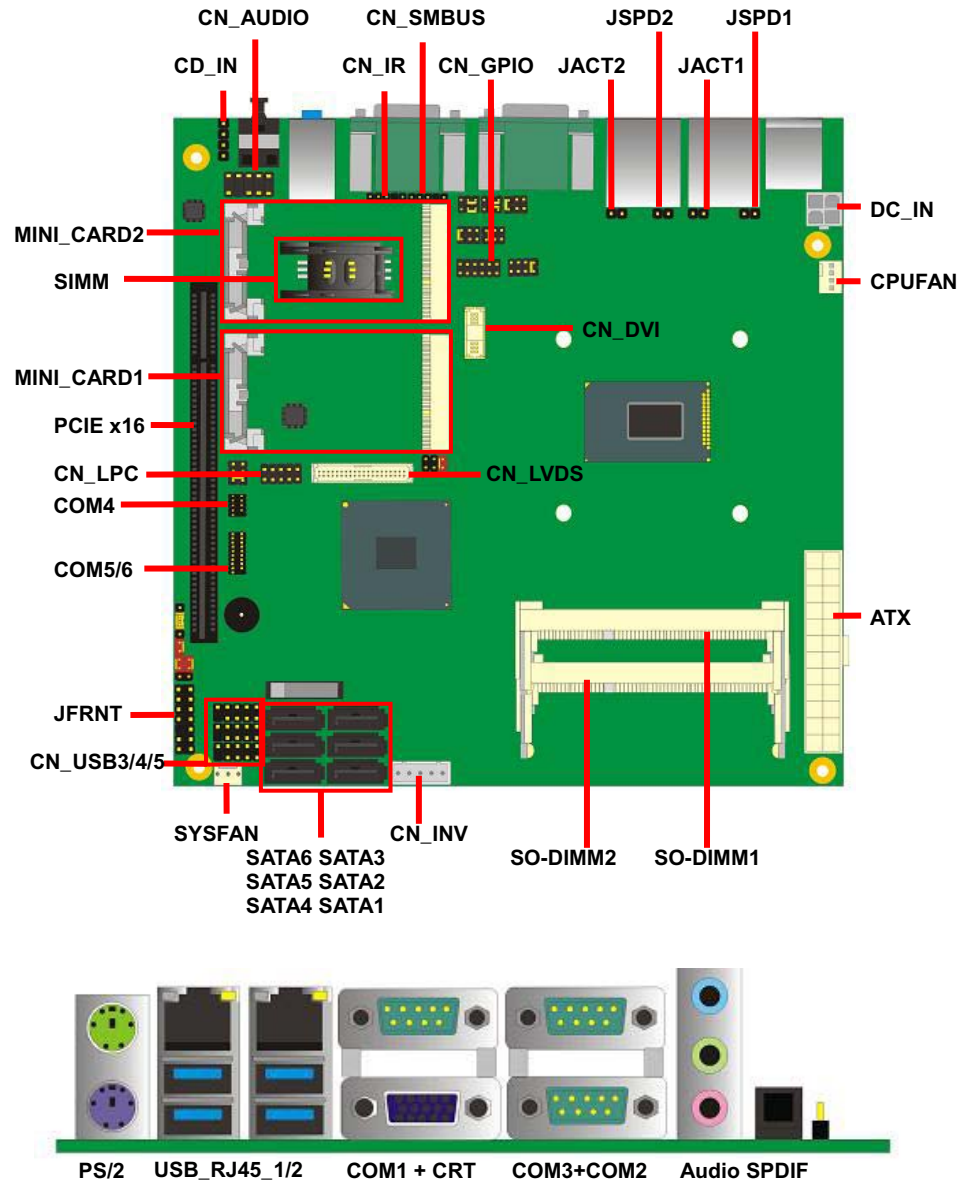
Unit: inch

1.4 <Block Diagram>



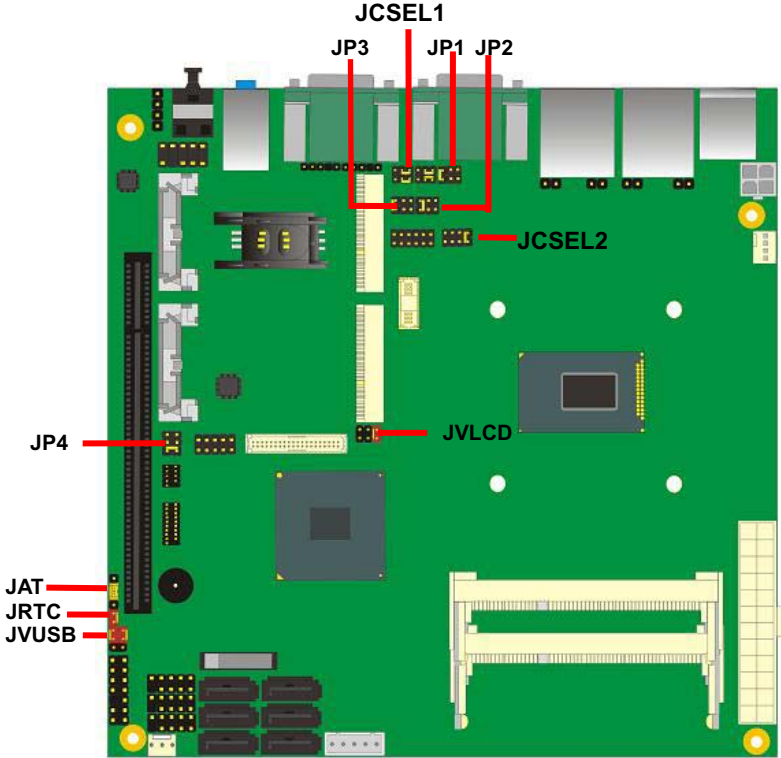
## Chapter 2 <Hardware Setup>

### 2.1 <Connector Location>



2.2 <Jumper Location & Reference>

Jumper	Function
JRTC	CMOS Operating/Clear Setting
JVLCD	Panel Voltage Setting
JAT	Power mode select
JP1	Com1 Voltage Setting (For Pin 9)
JP2	Com2 Voltage Setting (For Pin 9)
JP3	Com3 Voltage Setting (For Pin 9)
JP4	Com4 Voltage Setting (For Pin 9)
JCSEL1	CN_COM2 RS-232 RS422 RS485 Setting
JCSEL2	CN_IR IrDA Setting
JVUSB	USB Voltage Setting



## 2.3 <Connector Reference>

### 2.3.1 <Internal Connectors>

Connector	Function	Remark
SO-DIMM 2 LV-67LNB SO-DIMM 1/2 LV-67LBU	204 -pin DDR3 SO-DIMM socket	
SATA 1/2	7-pin Serial ATAIII connector	
SATA 3/4/5/6	7-pin Serial ATAll connector	
DC_IN	DC 9~24V input connector	
ATX	24-pin power input connector	ATX P/S Mode
	24-pin power output connector	DC_Input Mode
CN_AUDIO	5 x 2-pin audio connector	
CD_IN	4-pin CD-ROM audio input connector	
CN_DIO	6 x 2-pin digital I/O connector	
CN_USB 3/4/5	5 x 2-pin USB connector	
CPUFAN	4-pin CPU cooler fan connector	
SYSFAN	3-pin system cooler fan connector	
CN_LVDS	20 x 2-pin LVDS connector	
CN_DVI	10 x 2-pin DVI connector	
CN_INV	5-pin LCD inverter connector	
CN_IR	5-pin IrDA connector	
CN_COM 4	10-pin RS232	
CN_COM 5/6	20-pin 2 x RS232	
CN_LPC	5 x 2-pin LPC connector	
JFRNT	14-pin front panel switch/indicator connector	
PCIE	164-pin x16 PCIE slot	
Mini-PCIE1/2	2 x 52-pin Mini-PCIE socket	
JAT	Power mode select	
JSPD 1/2	LAN Speed LED connector	
JACT 1/2	LAN Activity LED connector	

### 2.3.2 <External Connectors>

Connector	Function	Remark
USB_RJ45 1/2	2 x USB 3.0 connector for USB 2.0 Interface and 1 x RJ45 LAN connector	
COM1 + CRT	COM1 Connect DB15 and analog VGA connector	
COM 2/3	Serial port connector	
PS/2	PS/2 keyboard and mouse connector	
AUDIO	Audio connector	
SPDIF	SPDIF digital audio output connector	

## 2.4 <Memory Setup>

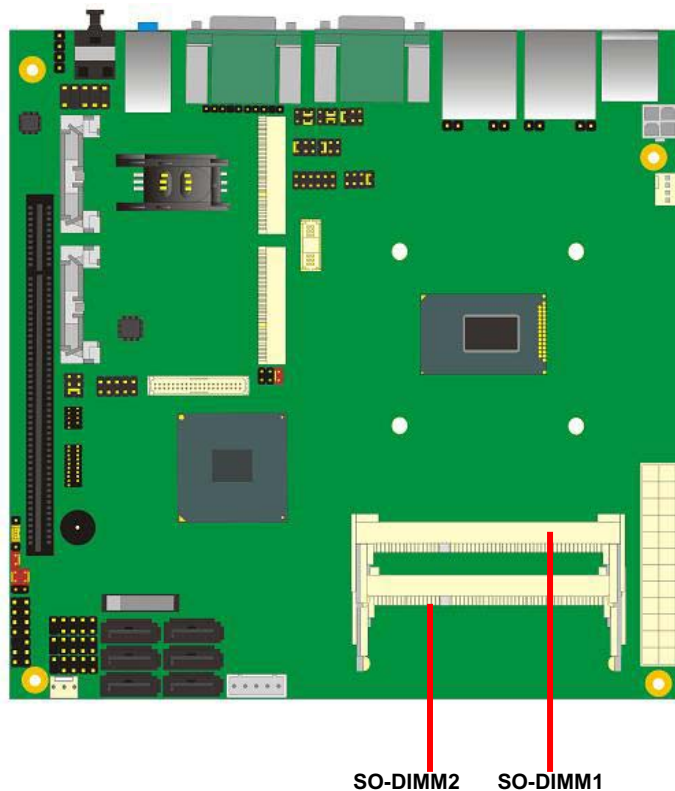
### 2.4.1 <Memory Setup>

The board provides 2 x 204-pin DDR3 SO-DIMM to support 1066/1333/1600MHz DDR3 memory module.

1 x DDR3 SO-DIMM 1066/1333 MHz up to 4GB. (LV-67LNB)

2 x DDR3 SO-DIMM 1066/1333 MHz up to 16GB. (LV-67LBU)

Support Non-ECC, unbuffered memory only.



## 2.5 <CMOS & ATX Setup>

The board's data of CMOS can be setting in BIOS. If the board refuses to boot due to inappropriate CMOS settings, here is how to proceed to clear (reset) the CMOS to its default values.

**Jumper: JRTC**

**Type: Onboard 3-pin jumper**

JRTC	Mode
1-2	Clear CMOS
2-3	Normal Operation

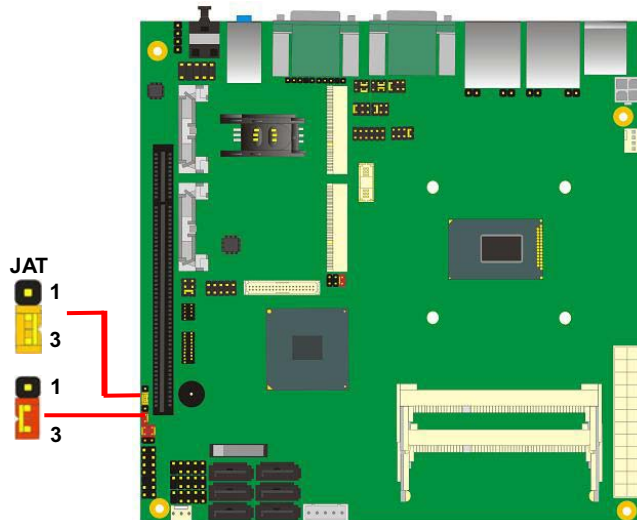
Default setting: 2-3

**Jumper: JAT**

**Type: onboard 3-pin jumper**

JAT	Mode
1-2	AT Mode
2-3	ATX Mode

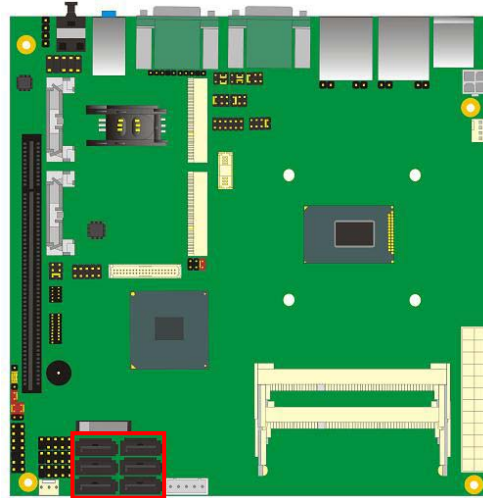
Default setting:2-3





## 2.6 <Serial ATA Interface>

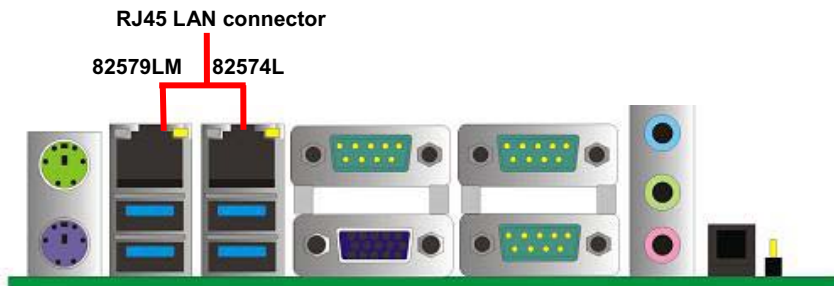
Based on Intel PCH, the board provides two Serial ATAIII(SATA Port1/2) interfaces with up to 600MB/s of transfer rate and four Serial ATAII(SATA Port3/4/5/6) interfaces with up to 300MB/s of transfer rate.



SATA6 SATA3  
SATA5 SATA2  
SATA4 SATA1

## 2.7 <Ethernet Interface>

The board integrates with one Intel 82574L Gigabit Ethernet & one Intel 82579LM controllers, as the PCI Express bus. The Intel 82574L & 82579LM supports triple speed of 10/100/1000Base-T, with IEEE802.3 compliance and Wake-On-LAN supported.



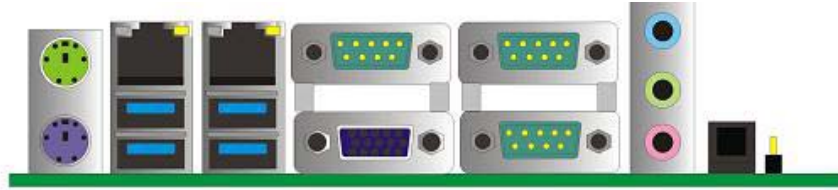
## 2.8 <Onboard Display Interface>

Based on Intel **Sandy Bridge** CPU with built-in HD Graphic, the board provides one DB15 connector on rear external I/O port, one 40-pin LVDS interface with 5-pin LCD backlight inverter connector and provides 20-pin DVI interface.

The board provides dual display function with clone mode and extended desktop mode for CRT, LCD and DVI.

### 2.8.1 <Analog Display>

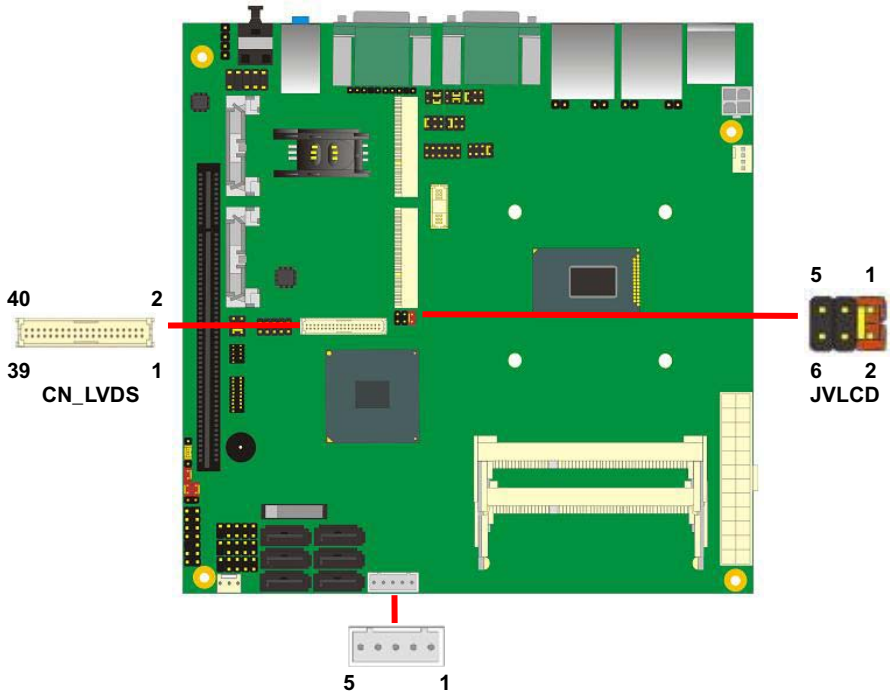
Please connect your CRT or LCD monitor with DB15 male connector to the onboard DB15 female connector on rear I/O port .



CRT

2.8.2 <Digital Display>

The board provides one 40-pin LVDS connector for 24-bit single/dual channel panels, supports up to 2048 x 1536 (UXGA) resolution, with one LCD backlight inverter connector and one jumper for panel voltage setting.



*Effective patterns of connection: 1-2 | 3-4 | 5-6*



*Warning: others cause damages*

Connector: **CN\_INV**

Type: 5-pin LVDS Power Header

Pin	Description
1	+12V
2	Reserved (Note)
3	GND
4	GND
5	ENABKL

Note: Reserved for MB internal test  
Please treat it as NC.

Connector: **JVLCD**

Type: 6-pin Power select Header

Pin	Description
1-2	LCDVCC (3.3V)
3-4	LCDVCC (5V)
5-6	LCDVCC (12V)

Default: 1-2

Connector: **CN\_LVDS**

Type: onboard 40-pin connector for LVDS connector

Connector model: **HIROSE DF13-40DP-1.25V**

Pin	Signal	Pin	Signal
2	LCDVCC	1	LCDVCC
4	GND	3	GND
6	ATX0-	5	BTX0-
8	ATX0+	7	BTX0+
10	GND	9	GND
12	ATX1-	11	BTX1-
14	ATX1+	13	BTX1+
16	GND	15	GND
18	ATX2-	17	BTX2-
20	ATX2+	19	BTX2+
22	GND	21	GND
24	ACLK-	23	BTX3-
26	ACLK+	25	BTX3+
28	GND	27	GND
30	ATX3-	29	BCLK-
32	ATX3+	31	BCLK+
34	GND	33	GND
36	DDCPCLK	35	SMBCKL
38	DDCPDATA	37	SMBDATA
40	N/C	39	SPDIFO

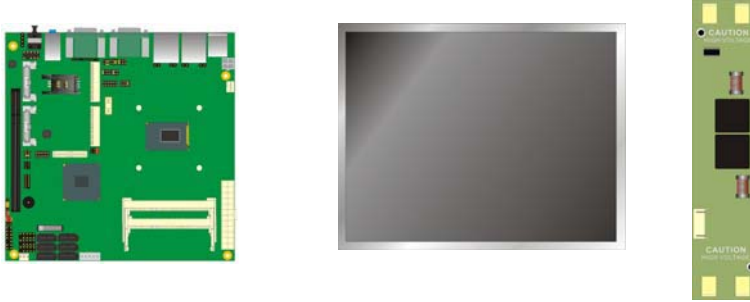
To setup the LCD, you need the component below:

1. A panel with LVDS interfaces.
2. An inverter for panel's backlight power.
3. A LCD cable and an inverter cable.

**For the cables, please follow the pin assignment of the connector to make a cable, because every panel has its own pin assignment, so we do not provide a standard cable; please find a local cable manufacture to make cables.**

### LCD Installation Guide:

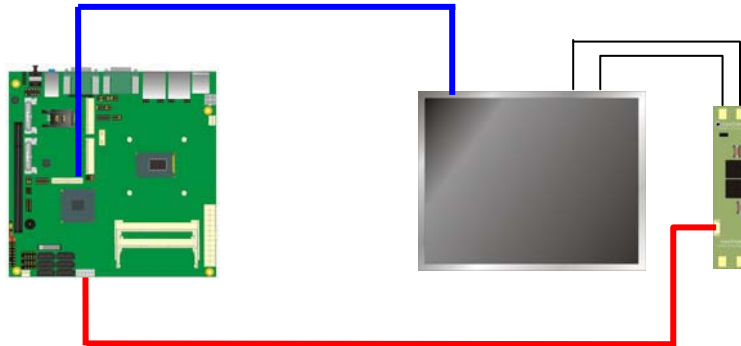
1. Preparing the **LV-67L**, **LCD panel** and the **backlight inverter**.



2. Please check the datasheet of the panel to see the voltage of the panel, and set the jumper **JVLCD** to +12V or +5V or +3.3V.
3. You would need a LVDS type cable.



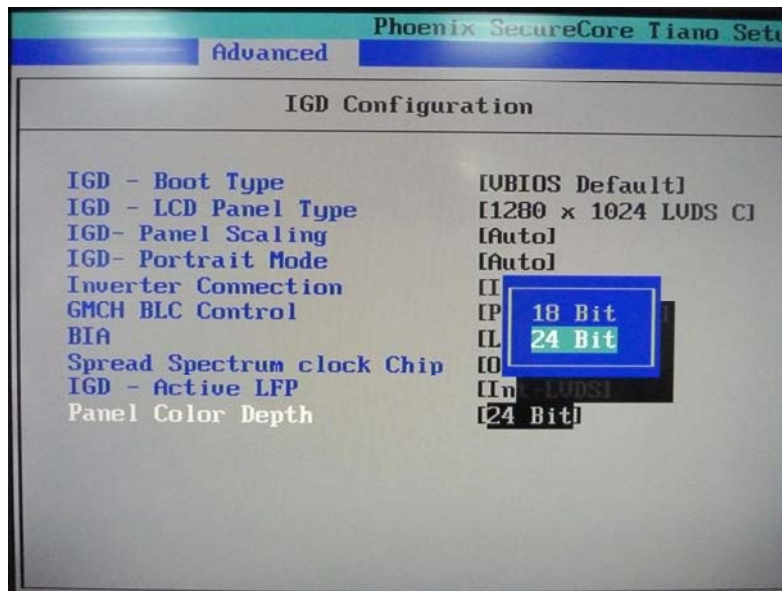
4. To connect all of the devices well.



After setup the devices well, you need to select the LCD panel type in the BIOS.

The panel type mapping is list below:

BIOS panel type selection form (BIOS Version:1.0)			
Single / Dual channel		Single / Dual channel	
NO.	Output format	NO.	Output format
1	640 x 480	9	1680 x 1050
2	800 x 600	10	1920 x 1200
3	1024 x 768	11	1440 x 900
4	1280 x 1024	12	1600 x 900
5	1400 x 1050 Reduced Blanking	13	800 x 480
6	1400 x 1050 non-Reduced Blanking	14	1280 x 800
7	1600 x 1200	15	1920 x 1080
8	1366 x 768	16	OEM keep



**2.8.3 <DVI Interface>**

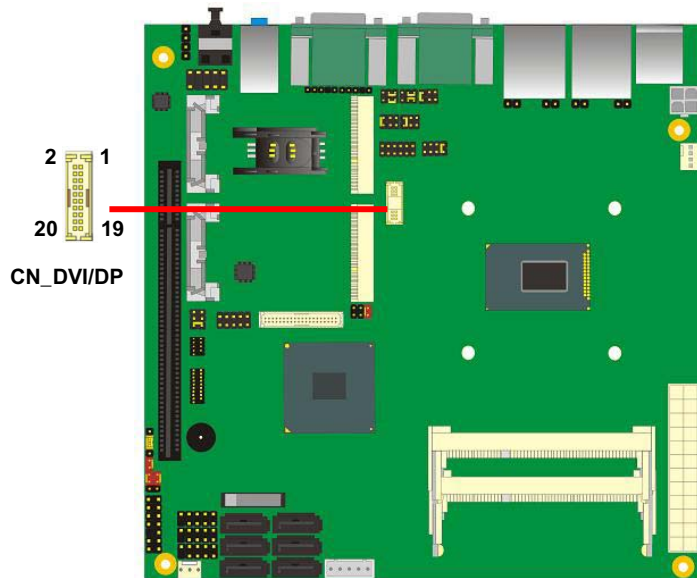
The board provides one 20-pin DVI connector, supports up to 1920 x 1080 resolution.

Connector: CN\_DVI/DP

Type: onboard 20-pin connector for DVI connector

Connector model: HIROSE DF13-20DP-1.25V

Pin Number	Assignment	Pin Number	Assignment
1	+5V	2	+3.3V
3	HPD	4	Ground
5	TMDSTX0N	6	TMDSTX0P
7	Ground	8	TMDSTX1N
9	TMDSTX1P	10	Ground
11	TMDSTX2N	12	TMDSTX2P
13	Ground	14	TMDSTXCN
15	TMDSTXCP	16	Ground
17	DVI_DA	18	DVI_SL
19	AUXN	20	AUXP



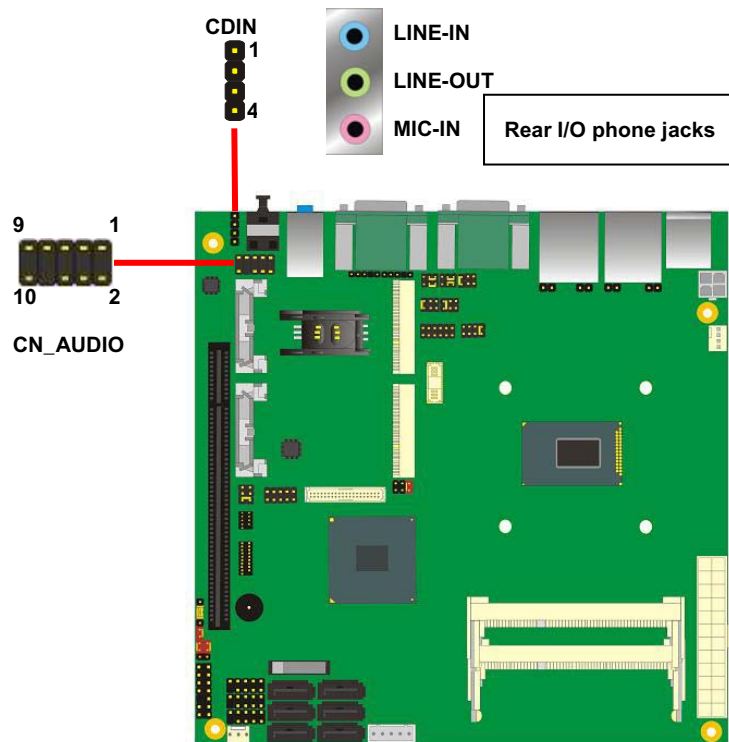
## 2.9 <Integrated Audio Interface>

The board integrates onboard audio interface with REALTEK ALC888 code, with Intel next generation of audio standard as High Definition Audio, it offers more vivid sound and other advantages than former HD audio compliance.

The main specifications of ALC888 are:

- High-performance DACs with 100dB S/N ratio
- 2 DAC channels support 16/20/24-bit PCM format for 2 audio solution
- 16/20/24-bit S/PDIF-OUT supports 44.1K/48K/96kHz sample rate
- Compatible with HD
- Meets Microsoft WHQL/WLP 2.0 audio requirements

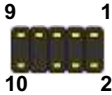
The board provides 2 channels audio phone jacks on rear I/O port, Line-in/MIC-in ports for front I/O panel through optional cable.





**Connector: CN\_AUDIO**

Type: 10-pin (2 x 5) header (pitch = 2.54mm)



Pin	Description	Pin	Description
1	MIC_L	2	Ground
3	MIC_R	4	N/C
5	Speaker_R	6	MIC Detect
7	SENSE	8	N/C
9	Speaker_L	10	Speaker Detect

**Connector: CDIN**

Type: 4-pin header (pitch = 2.54mm)



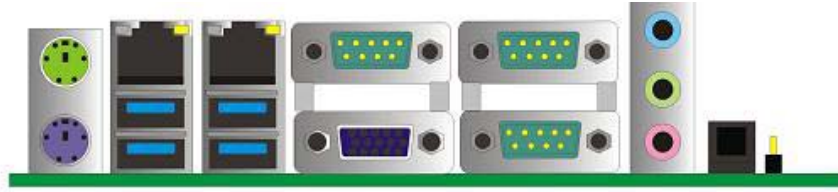
Pin	Description
1	CD – Left
2	Ground
3	Ground
4	CD – Right

## 2.10 <USB Interface>

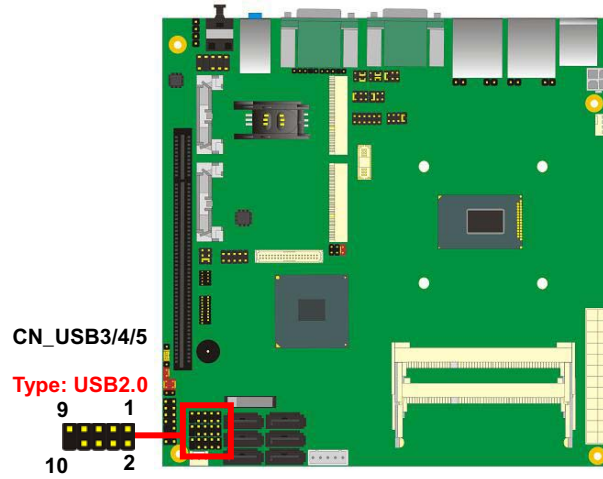
LV-67L integrates ten USB2.0 ports.

The specifications of USB2.0 are listed below:

Interface	USB2.0
Controller	Intel®HM65
Transfer Rate	Up to 480Mb/s
Voltage	5V



Type: USB2.0



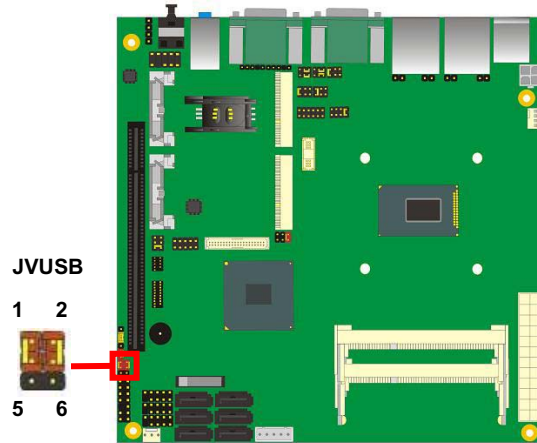
CN\_USB3/4/5

Type: USB2.0

Connector: **CN\_USB3/4/5**

Type: 10-pin (2 x 5) header (pitch = 2.54mm)

Pin	Description	Pin	Description
1	VCC (5V_SB/ 5V)	2	VCC (5V_SB/ 5V)
3	Data0-	4	Data1-
5	Data0+	6	Data1+
7	Ground	8	Ground
9	Ground	10	N/C



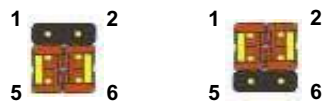
Connector: **JVUSB**

Type: 6-pin Power select jumper

Pin	Description
1-3 & 2-4	5V_SB
3-5 & 4-6	5V

**Default: 1-3 & 2-4**

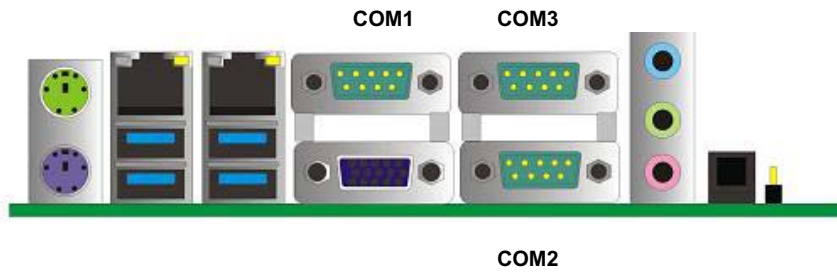
**Effective patterns of connection: 1-3 & 2-4 or 3-5 & 4-6**



**Warning: others cause damages**

## 2.11 <Serial Port>

The board supports Three RS232 serial port and one jumper selectable RS232/422/485 serial ports. The jumper JCSEL1 & JCSEL2 can let you configure the communicating modes for COM2.



Connector: **COM1/3**

Type: 9-pin D-sub male connector on bracket for COM1/3

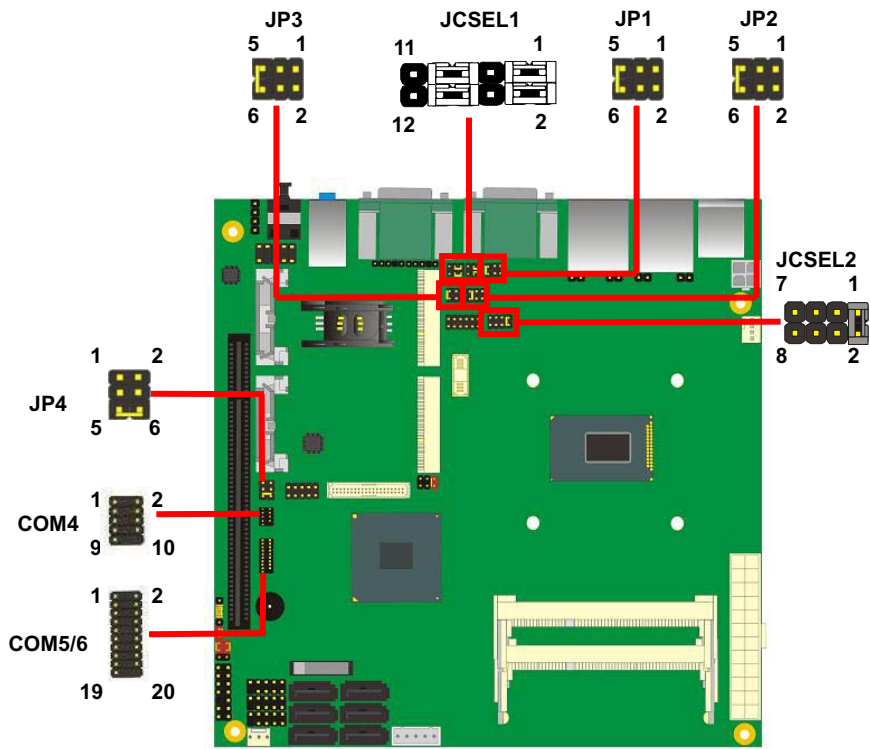
Pin	Description	Pin	Description
1	DCD	2	RXD
3	TXD	4	DTR
5	GND	6	DSR
7	RTS	8	CTS
9	RI	10	N/C

Connector: **COM2**

Type: 9-pin D-sub male connector on bracket for COM2

Pin	Description	Pin	Description
1	DCD/422TX-/485-	2	RXD/422TX+/485+
3	TXD/422RX+	4	DTR/422RX-
5	GND	6	DSR
7	RTS	8	CTS
9	RI	10	N/C

**Setting RS-232 & RS-422 & RS-485 for COM2**



Function	JCSEL2	JCSEL1
IrDA		
RS-422		
RS-485		
RS-232		

Default setting:

JCSEL1: (1-3, 2-4, 7-9, 8-10) JCSEL2: (1-2)

Jumper: JP1/JP2/JP3/JP4 (COM1/2/3/4)  
 Type: onboard 6-pin header

Power Mode	JP1/2/3/4
Pin 9 with 5V Power	1-2
Pin 9 with 12V Power	3-4
Standard COM port	5-6 <b>Default setting</b>

## 2.12 <PCIE Mini Card and SIM Interface>

The board provides two PCIE mini card sockets and a SIM socket.

MINI\_CARD1 is the first Mini-PCle slot for long size Mini-PCle cards.

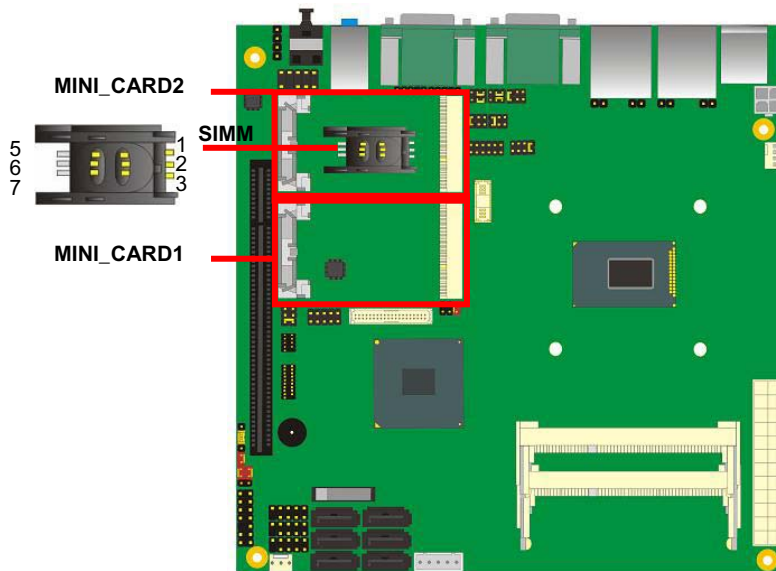
Please be noted that the MPX-SDVOD card must be placed in this slot. The MPX-SDVOD card will not work if it is placed in other slot.

Please also be noted that this slot is the only slot for MPX-SDVOX card but a customized BIOS is needed for the MPX-SDVOX card. Please contact Commell for customized BIOS for your MPX-SDVOX card.

MINI\_CARD2 is the second Mini-PCle slot for long size Mini-PCle cards.

However, if you are trying to use 3G Mini-PCle card with a SIM card then place your 3G Mini-PCle card in this slot and put your SIM card into the SIM card socket beneath this MINI\_CARD2 support 3G PCIE Mini card with SIM.

MINI\_CARD2 slot and option support mSATA.



Connector: **SIMM**

Type: 6-pin SIM socket

Pin	Description	Pin	Description
1	SIMVCC	2	SIMRST
3	SIMCLK	4	NC
5	GND	6	SIMVPP
7	SIMDATA		

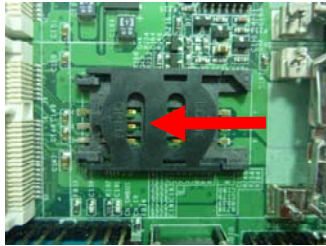


### 2.12.1 <SIM Step>

#### Step 1.

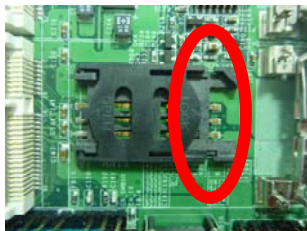
SIM card holder is marked by circle.

Slide the cap toward OPEN direction.



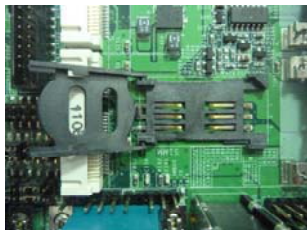
#### Step 2.

Make sure that the cap is now at the OPEN position.



#### Step 3.

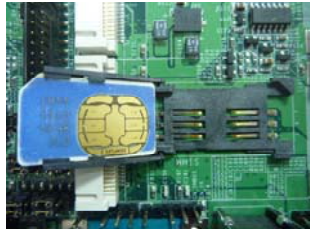
Flip the cap up for inserting a SIM card into.



**Step 4.**

Insert a SIM card as shown in the photo.

Be sure that the corner cut is on top and the golden pads are up.



**Step 5.**

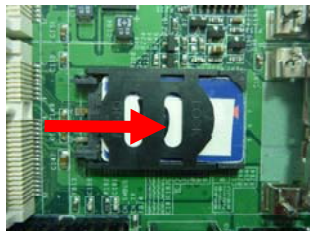
Now, flip down the cap as shown in the photo.



**Step 6.**

Press down and slide the cap to the CLOSE position.

Be sure that the cap is tightly held with the socket.



## 2.13 <GPIO and SMBUS Interface>

The board provides a programmable 8-bit digital I/O interface; you can use this general purpose I/O port for system control like POS or KIOSK.

Connector: **CN\_DIO**

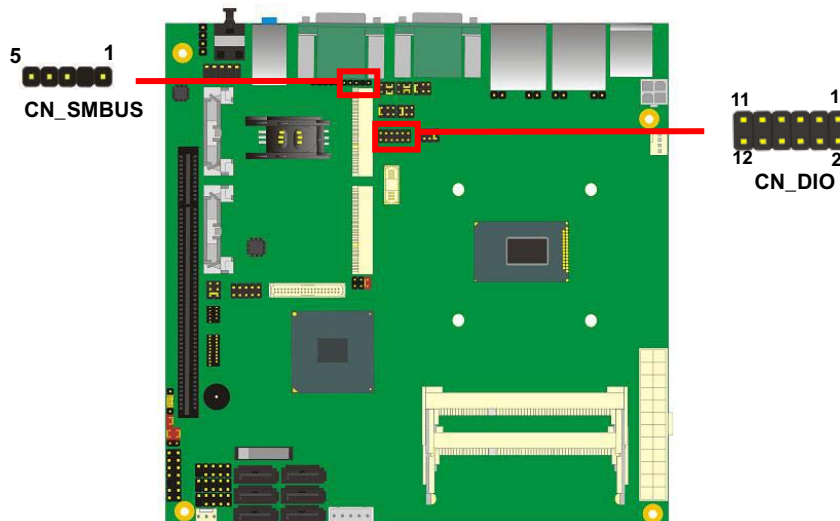
Type: 12-pin (6 x 2) header (pitch = 2.0mm)

Pin	Description	Pin	Description
1	Ground	2	Ground
3	GP10	4	GP14
5	GP11	6	GP15
7	GP12	8	GP16
9	GP13	10	GP17
11	5V	12	12V

Connector: **CN\_SMBUS**

Type: 5-pin header for SMBUS Ports

Pin	Description
1	VCC
2	N/C
3	SMBDATA
4	SMBCLK
5	Ground



## 2.14 <Power Supply and Fan Interface >

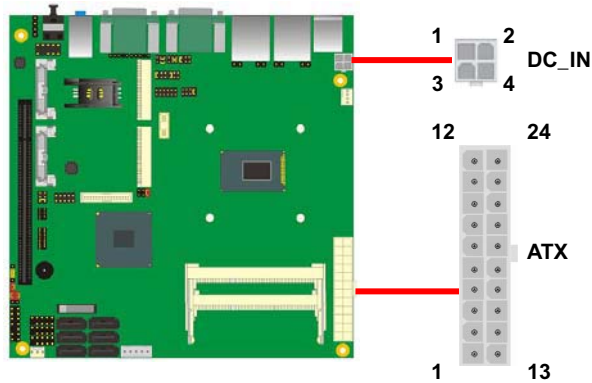
### 2.14.1 <Power Input>

The board requires onboard 4-pin DC-input connector voltage range is from 9V to 24V, or onboard 24-pin ATX2.0, for the input current, please take a reference of the power consumption report on appendix.

Connector: **DC\_IN**

Type: 4-pin DC power connector

Pin	Description	Pin	Description
1	Ground	2	Ground
3	+9~+24V	4	+9~+24V



Connector: **ATX** (It also can become Output when DC-IN be used)

Type: 24-pin ATX power connector

PIN assignment			
1	3.3V	13	3.3V
2	3.3V	14	-12V
3	GND	15	GND
4	5V	16	-PSON
5	GND	17	GND
6	5V	18	GND
7	GND	19	GND
8	PW_OK	20	N/C
9	5V_SB	21	5V
10	12V	22	5V
11	12V	23	5V
12	3.3V	24	GND

### 2.14.2 <Power Output>

The board provides one 24-pin ATX connector for +5V/+12V output for powering your HDD, CDROM or other devices.

**Attention: When DC-IN had power supplied, the ATX become output !**

**Avoid DC-IN and ATX power supply input at the same time !**

Connector: **ATX** (When DC-IN be used)

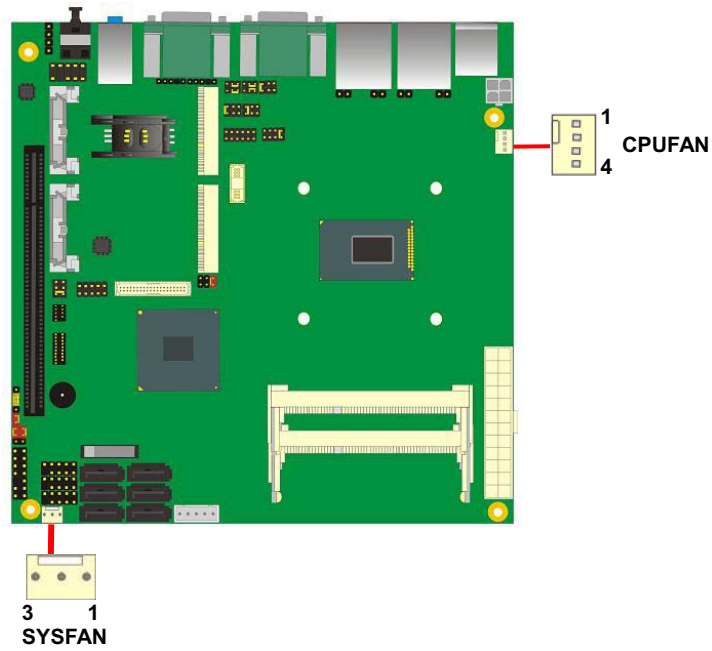
Type: 24-pin ATX connector for +5V/+12V **Output**

PIN assignment			
1	*	13	*
2	*	14	*
3	*	15	*
4	5V	16	*
5	GND	17	*
6	*	18	GND
7	GND	19	GND
8	*	20	*
9	*	21	*
10	12V	22	5V
11	12V	23	5V
12	*	24	*

Note: Maximum output voltage: **12V/2A & 5V/3A**

**2.14.3 <Fan connector>**

The board provides one **4-pin** fan connectors supporting smart fan for CPU cooler and one **3-pin** cooler fan connectors for system.



Connector: **CPUFAN**

Type: 4-pin fan wafer connector

Pin	Description	Pin	Description
1	Ground	2	+12V
3	Fan Speed Detection	4	Fan Control

Connector: **SYSFAN**

Type: 3-pin fan wafer connector

Pin	Description	Pin	Description	Pin	Description
1	Ground	2	+12V	3	Sense

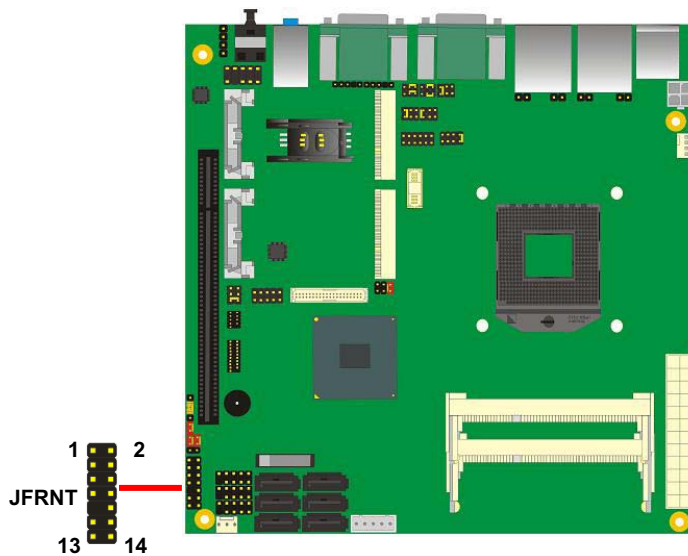
## 2.15 <Switch and Indicator>

The **JFRNT** provides front control panel of the board, such as power button, reset and beeper, etc. Please check well before you connecting the cables on the chassis.

Connector: **JFRNT**

Type: onboard 14-pin (2 x 7) 2.54-pitch header

Function	Signal	PIN		Signal	Function
IDE LED	HDLED+	1	2	PWRLED+	Power LED
	HDLED-	3	4	N/C	
Reset	Reset+	5	6	PWRLED-	Speaker
	Reset-	7	8	SPK+	
N/C		9	10	N/C	
Power Button	PWRBT+	11	12	N/C	
	PWRBT-	13	14	SPK-	

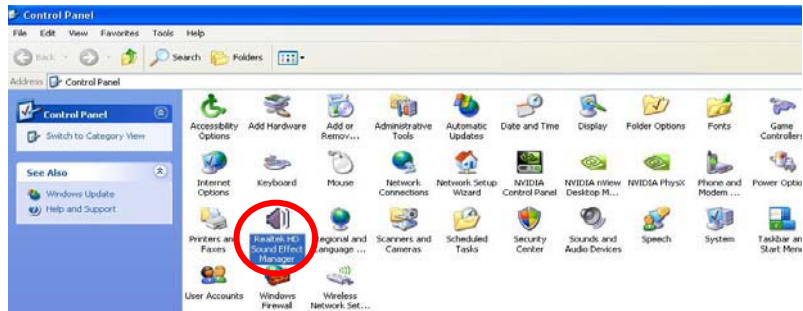


## Chapter 3 <System Setup>

### 3.1 <Audio Configuration>

The board integrates Intel® HM65 with REALTEK® ALC888 code. It can support 2-channel sound under system configuration. Please follow the steps below to setup your sound system.

1. Install REALTEK HD Audio driver.
2. Launch the control panel and Sound Effect Manager.



3. Select Speaker Configuration



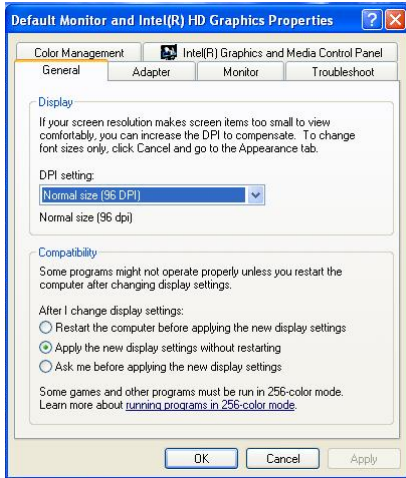


### 3.2 <Display Properties Setting>

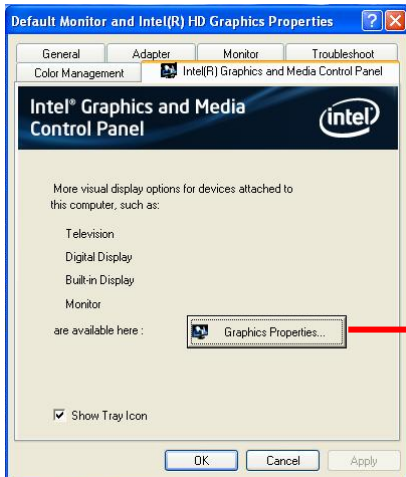
Based on Intel HM65 with HD Graphic, the board supports two DACs for display device as different resolution and color bit.

Please install the Intel Graphic Driver before you starting setup display devices.

1. Click right button on the desktop to lunch **display properties**



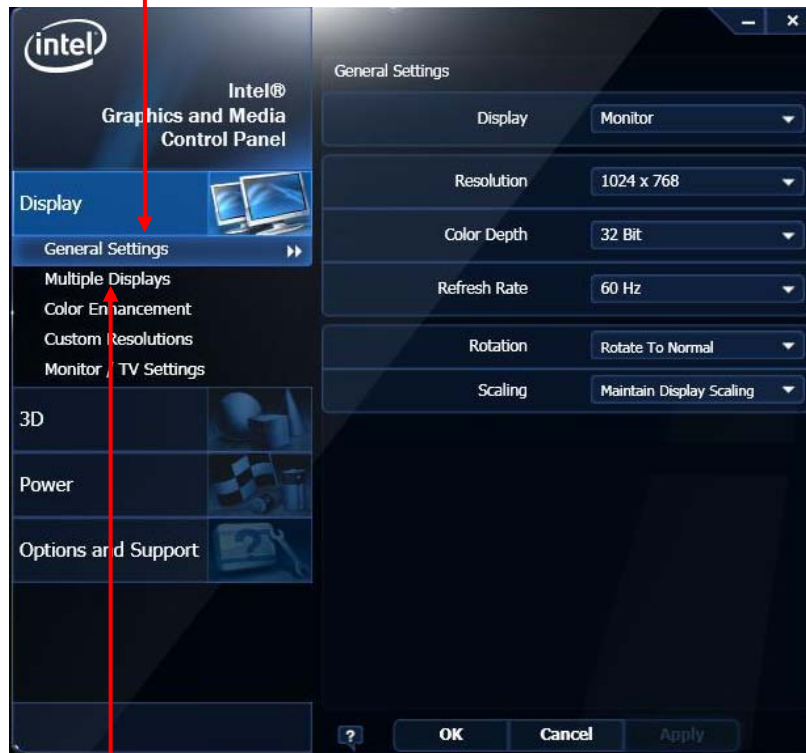
2. Click **Advanced** button for more specificity setup.



Click **Graphics Properties...** for advanced setup

3. This setup options can let you define each device settings.

Click **Monitor** to setup the CRT monitor for Resolution and Refresh Rate



Click **Intel® Dual Display Clone** to setup the dual display mode as same screen

## Chapter 4 <BIOS Setup>

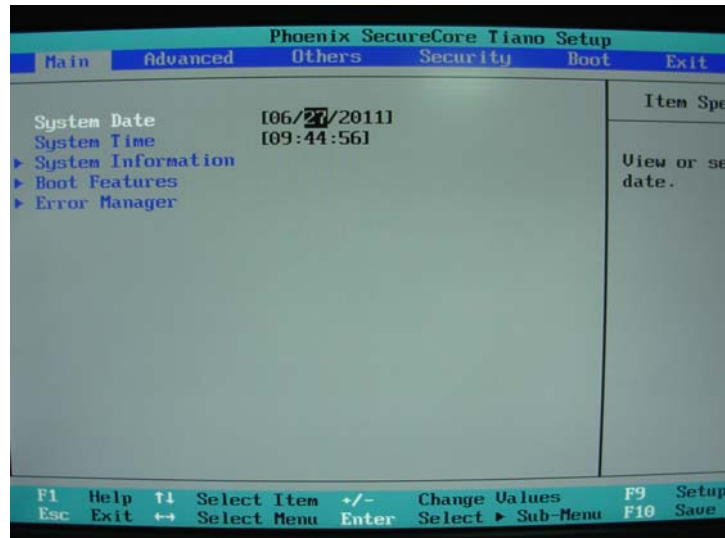
The motherboard uses the Phoenix BIOS for the system configuration. The Phoenix BIOS in the single board computer is a customized version of the industrial standard BIOS for IBM PC AT-compatible computers. It supports Intel x86 and compatible CPU architecture based processors and computers. The BIOS provides critical low-level support for the system central processing, memory and I/O sub-systems.

The BIOS setup program of the single board computer let the customers modify the basic configuration setting. The settings are stored in a dedicated battery-backed memory, NVRAM, retains the information when the power is turned off. If the battery runs out of the power, then the settings of BIOS will come back to the default setting.

The BIOS section of the manual is subject to change without notice and is provided here for reference purpose only. The settings and configurations of the BIOS are current at the time of print, and therefore they may not be exactly the same as that displayed on your screen.

To activate CMOS Setup program, press <DEL> key immediately after you turn on the system. The following message "Press DEL to enter SETUP" should appear in the lower left hand corner of your screen. When you enter the CMOS Setup Utility, the Main Menu will be displayed as **Figure 4-1**. You can use arrow keys to select your function, press <Enter> key to accept the selection and enter the sub-menu.

**Figure 4-1** CMOS Setup Utility Main Screen



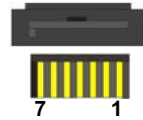
(This page is left for blank)

## Appendix A <I/O Port Pin Assignment>

### A.1 <Serial ATA Port>

Connector: **SATA1/2/3/4/5/6**

Type: 7-pin wafer connector



1	2	3	4	5	6	7
GND	RSATA_TXP1	RSATA_TXN1	GND	RSATA_RXN1	RSATA_RXP1	GND

### A.2 <IrDA Port>

Connector: **CN\_IR**

Type: 5-pin header for SIR Ports

*JCSEL1 must jump to "SIR"*

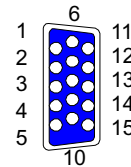
Pin	Description
1	VCC
2	N/C
3	IRRX
4	Ground
5	IRTX



### A.3 <VGA Port>

Connector: **CRT**

Type: 15-pin D-sub female connector on bracket

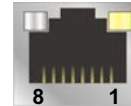


Pin	Description	Pin	Description	Pin	Description
1	RED	6	Ground	11	N/C
2	GREEN	7	Ground	12	DDCDA
3	BLUE	8	Ground	13	HSYNC
4	N/C	9	N/C	14	VSYNC
5	Ground	10	Ground	15	DDCCLK

### A.4 <LAN Port>

Connector: **RJ45**

Type: RJ45 connector with LED on bracket



Pin	1	2	3	4	5	6	7	8
Description	MI0+	MI0-	MI1+	MI2+	MI2-	MI1-	MI3+	MI3-

## A.5 <LAN LED Port>

Connector: **JSPD1/2**

Type: 5-pin header for LAN Speed LED connector

When Lan speed 10/100Mbps

Pin	Description
1	LED-
2	LED+

When Lan speed 1Gbps

Pin	Description
1	LED+
2	LED-

Connector: **JATC1/2**

Type: 5-pin header for LAN Activity LED connector

Pin	Description
1	LED-
2	LED+

## Appendix B <Flash BIOS>

### B.1 <Flash Tool>

The board is based on Phoenix BIOS and can be updated easily by the BIOS auto flash tool. You can download the tool online at the address below:

<http://www.commell.com.tw/Support/Product%20Technical%20Support/LV-67L.htm>

File name of the tool is "Pflash.exe", it's the utility that can write the data into the BIOS flash chip and update the BIOS.

### B.2 <Flash BIOS Procedure>

1. Please make a bootable floppy disk.
2. Get the last .bin files you want to update and copy it into the disk.
3. Copy Pflash.exe to the disk.
4. Power on the system and flash the BIOS.  
(Example: C:/Pflash XXX.bin /bbl /cvar /sa)
5. Restart the system.

Any question about the BIOS re-flash please contact your distributors or visit the web-site at below:

<http://www.commell.com.tw/Support/Support.htm>

## Appendix C <Programming GPIO's>

The GPIO can be programmed with the MSDOS debug program using simple IN/OUT commands. The following lines show an example how to do this.

```
GPIO0.....GPIO7  bit0.....bit7
-o 2 E 87          ;enter configuration
-o 2E 87
-o 2E 07
-o 2F 09          ;enable GPIO function
-o 2E 30
-o 2F 02          ;enable GPIO configuration
-o 2E F0
-o 2F xx          ;set GPIO as input/output; set '1' for input,'0'for
output
-o 2E F1
-o 2F xx          ;if set GPIO's as output,in this register its value can
be set
```

Optional :

```
-o 2E F2
-o 2F xx          ; Data inversion register ; '1' inverts the current valus
of the bits , '0' leaves them as they are
-o 2E 30
-o 2F 01          ; active GPIO's
```

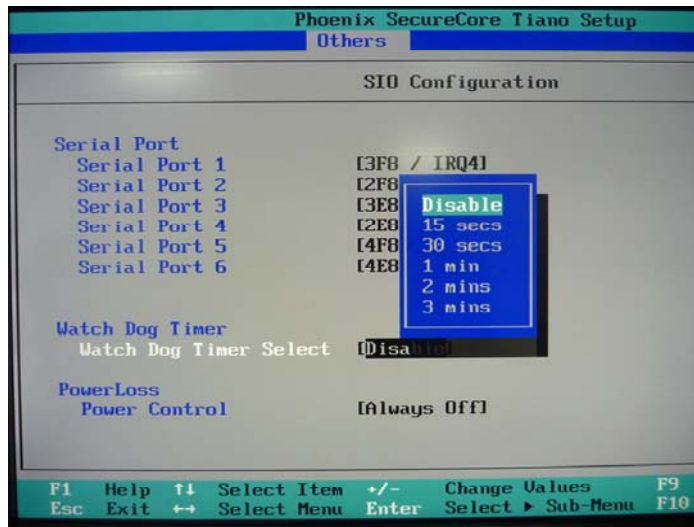
For further information, please refer to Winbond W83627DHG-P datasheet.



## Appendix D <Programming Watchdog Timer >

The watchdog timer makes the system auto-reset while it stops to work for a period.

The integrated watchdog timer can be setup as system reset mode by program.



### Timeout Value Range

- 1 to 255
- Second or Minute

### Program Sample

Watchdog timer setup as system reset with 5 second of timeout

---

```

2E, 87
2E, 87
2E, 07
2F, 08      Logical Device 8
2E, 30      Activate
2F, 01
2E, F5      Set as Second*
2F, 00
2E, F6      Set as 5
2F, 05

```

---

\* Minute: bit 3 = 1; Second: bit 3 = 0

You can select Timer setting in the BIOS, after setting the time options, the system will reset according to the period of your selection.

## Contact Information

Any advice or comment about our products and service, or anything we can help you please don't hesitate to contact with us. We will do our best to support you for your products, projects and business.

### Taiwan Commate Computer Inc.

Address	19F, No.94, Sec. 1, Xintai 5th Rd., Xizhi Dist., New Taipei City 22102, Taiwan
TEL	+886-2-26963909
FAX	+886-2-26963911
Website	<a href="http://www.commell.com.tw">http://www.commell.com.tw</a>
E-Mail	<a href="mailto:info@commell.com.tw">info@commell.com.tw</a> (General Information) <a href="mailto:tech@commell.com.tw">tech@commell.com.tw</a> (Technical Support)

**Commell is a brand name of Taiwan commate computer Inc.**