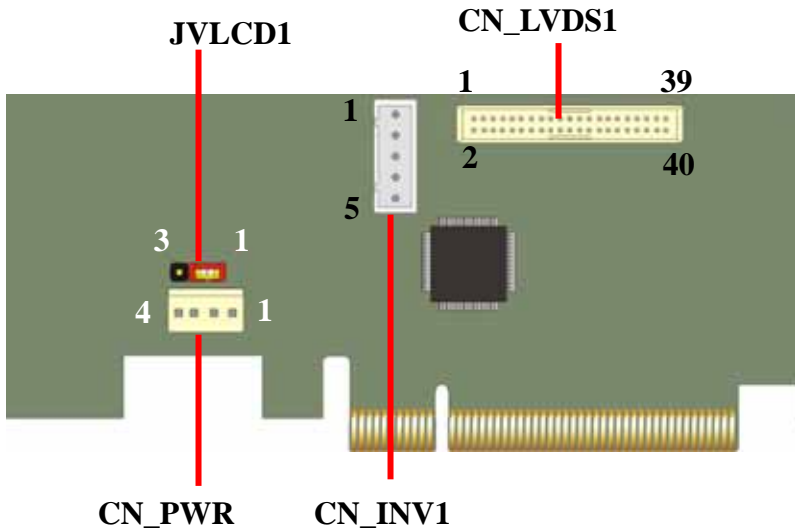


PCI-E-SDVOX

Quick Reference

PCI-Express SDVOX card for 18/24-bit dual channel LVDS Module.



Specifications	
Form Factor	PCI-Express
Controller	CHRONTEL 7308A
Output Type	18/24-bits LVDS Panel
Driver	Integrated in Intel's Graphic Driver
Operating Temperature	0 to 60 Centigrade

Connector: **CN_LVDS**

Type: onboard 40-pin connector for LVDS connector

Connector model: **HIROSE DF13-40DP-1.25V**

Pin	Signal	Pin	Signal
2	LCDVCC	1	LCDVCC
4	GND	3	GND
6	ATX0-	5	BTX0-
8	ATX0+	7	BTX0+
10	GND	9	GND
12	ATX1-	11	BTX1-
14	ATX1+	13	BTX1+
16	GND	15	GND
18	ATX2-	17	BTX2-
20	ATX2+	19	BTX2+
22	GND	21	GND
24	ATXCK-	23	BTX3-
26	ATXCK+	25	BTX3+
28	GND	27	GND
30	ATX3-	29	BTXCK-
32	ATX3+	31	BTXCK+
34	GND	33	GND
36	PANELCLK	35	N/C
38	PANELDATA	37	N/C
40	N/C	39	N/C

Connector: **CN_INV**

Type:

5-pin LVDS Power Header

Pin	Description
1	+12V
2	GND
3	GND
4	GND
5	ENABKL

Connector: **JVLCD1**

Type:

3-pin Power select Header

Pin	Description
1	VCC(5V)
2	LCDVCC
3	VCC3(3.3V)

Connector: **CN_PWR**

Type:

4-pin PWR connector

Pin	Description
1	+12V
2	Ground
3	Ground
4	+5V

CN_PWR Connector provide +5V to LVDS Panel .